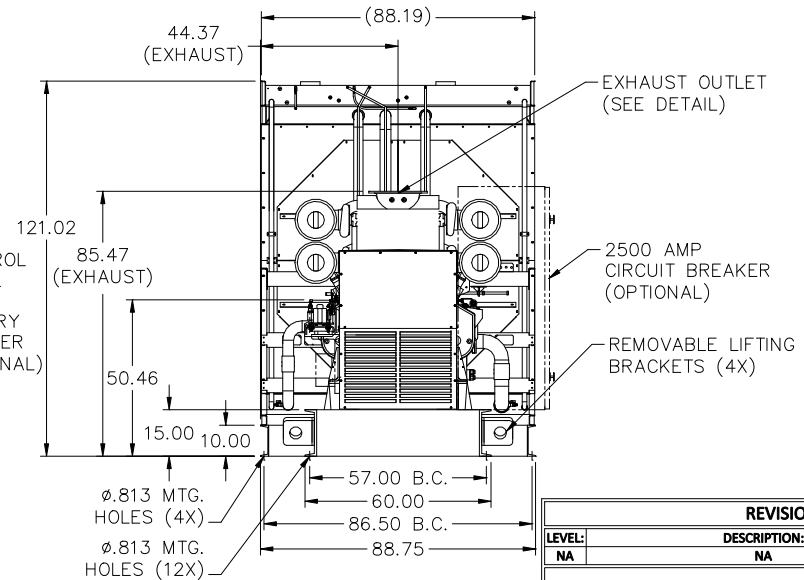
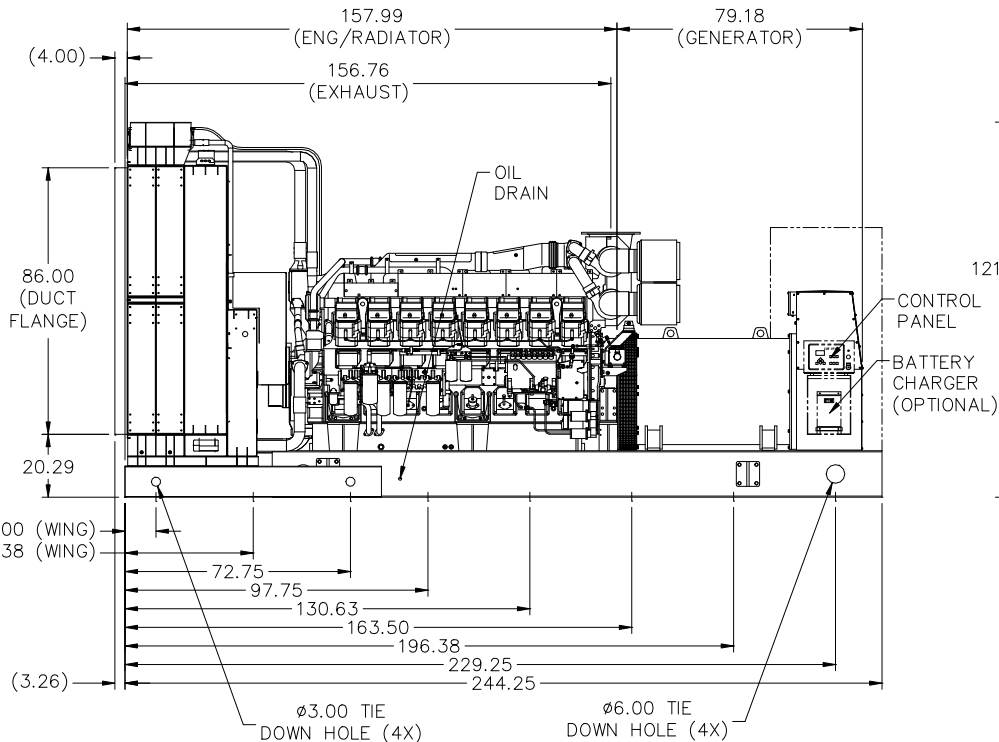
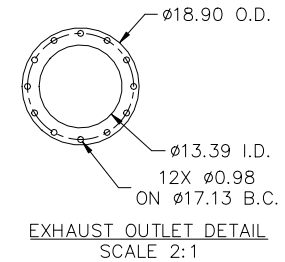
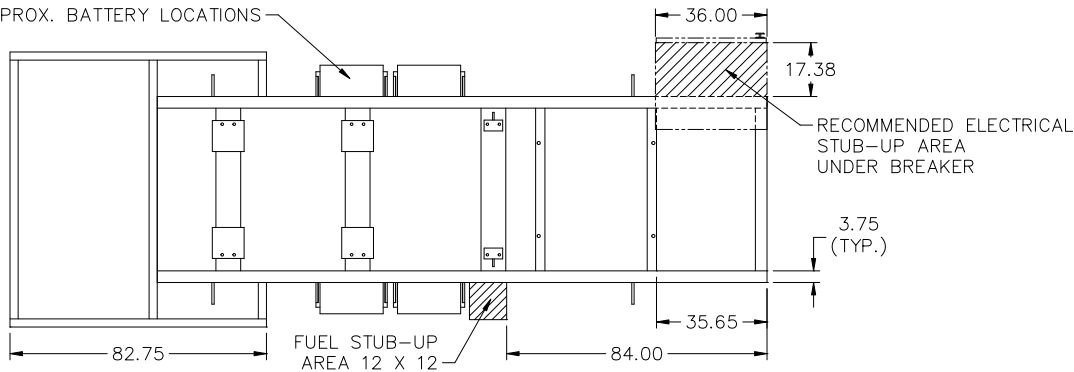


APPROX. BATTERY LOCATIONS



- NOTES:  
1. BREAKER LOCATION IS APPROXIMATE  
2. DUCT FLANGE WIDTH: 85.00"  
3. FUEL SUPPLY: 1.00" FUEL RETURN: 1.00"  
4. (XX.XX) DIMENSIONS ARE FOR REFERENCE ONLY

REVISIONS:

LEVEL:	DESCRIPTION:	DATE:	BY:
NA	NA	NA	NA

**BLUE STAR**  
Power Systems Inc.

ENG: S16R-Y2PTAW-1	GEN: 743	
RAD: W/ ENG	BASE: 2-0578	HSG: NA
DATE: 03-16-17	BY: KAP	DRAWN TO SCALE