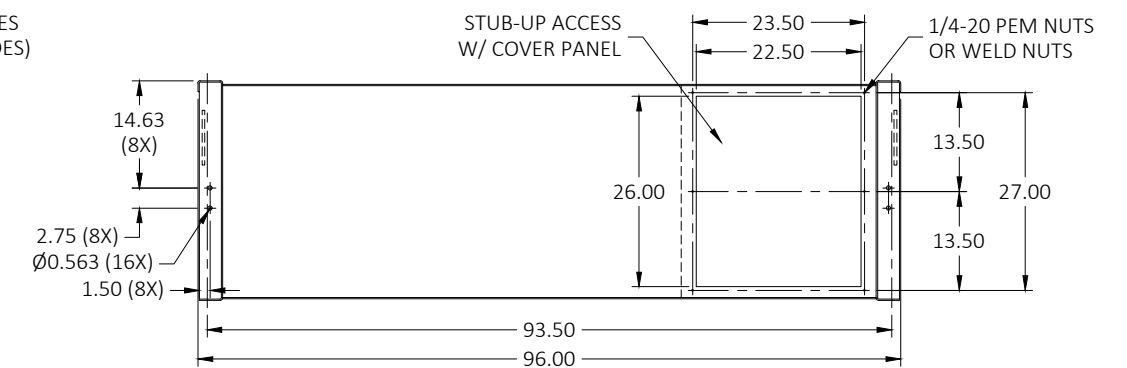
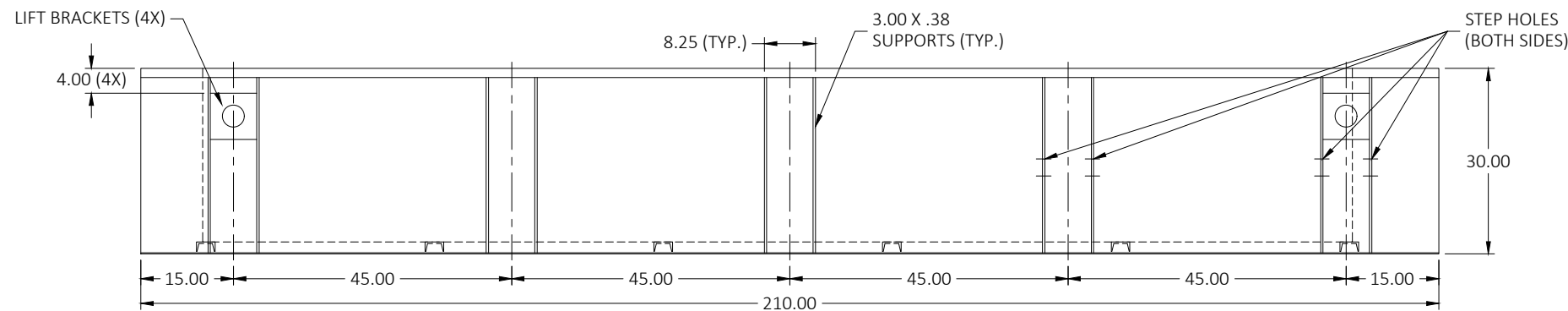
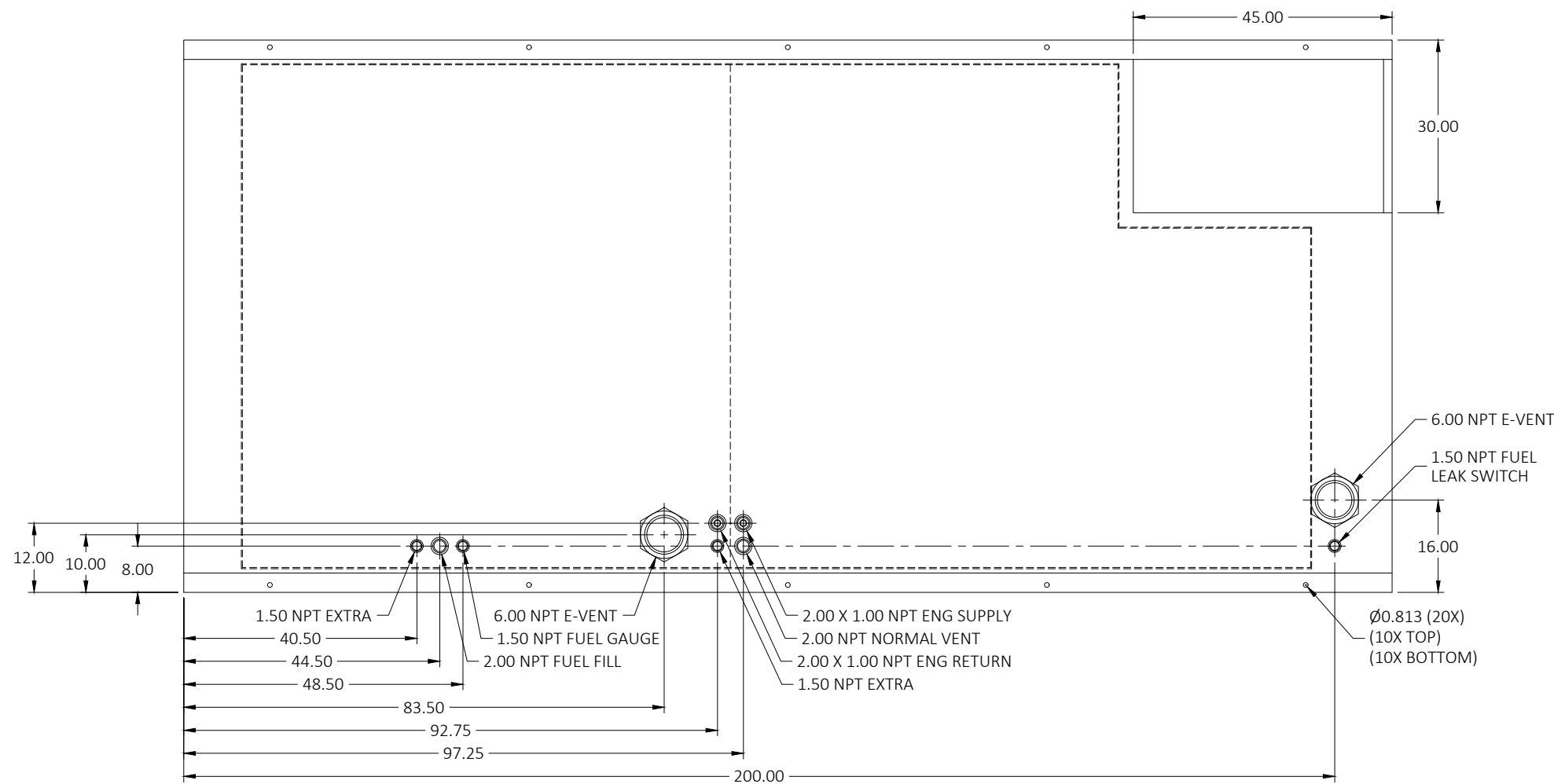


DRAWING: 19663

24HR / 1,800GL FUEL TANK  
 MD800-01, MD1000-01  
 LV0 / LV1 / LV2



- NOTES:
1. MATERIAL: PER UL/ULC REQUIREMENTS
  2. SECONDARY CONTAINMENT TANK
  3. TANK TO INCLUDE:
    - FUEL SUPPLY/RETURN DIP TUBES
    - LIFTING/TIE DOWN BRACKETS

MATERIAL: SEE NOTES

FINISH: BLACK HAMMERED

R06	CHANGED FINISH TO BLACK HAMMERED	02-11-20	CRC
LEVEL:	DESCRIPTION:	DATE:	BY:

REVISIONS:

THE INFORMATION CONTAINED IN THIS DRAWING IS THE SOLE PROPERTY OF BLUE STAR POWER SYSTEMS, INC. ANY REPRODUCTION, IN PART OR AS A WHOLE, WITHOUT THE WRITTEN PERMISSION IS PROHIBITED.



2250 CARLSON DRIVE, NORTH MANKATO, MINNESOTA 56003 | 1 507 345 1776

TANK SB 1800GL DW SC UL/ULC W/ STUB-UP

REMOVE ALL BURRS AND SHARP EDGES

TOLERANCE UNLESS OTHER SPECIFIED:

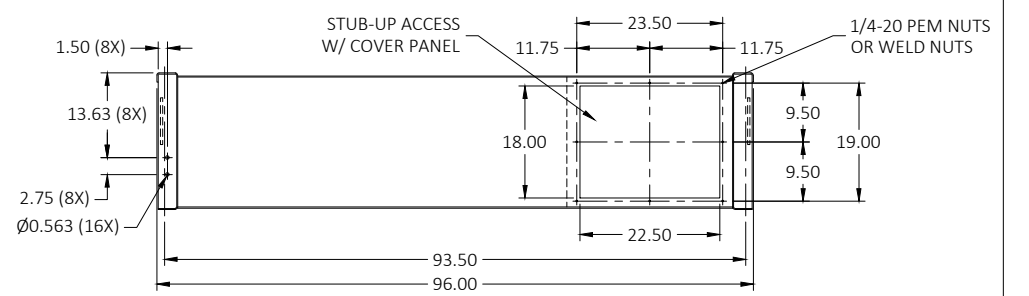
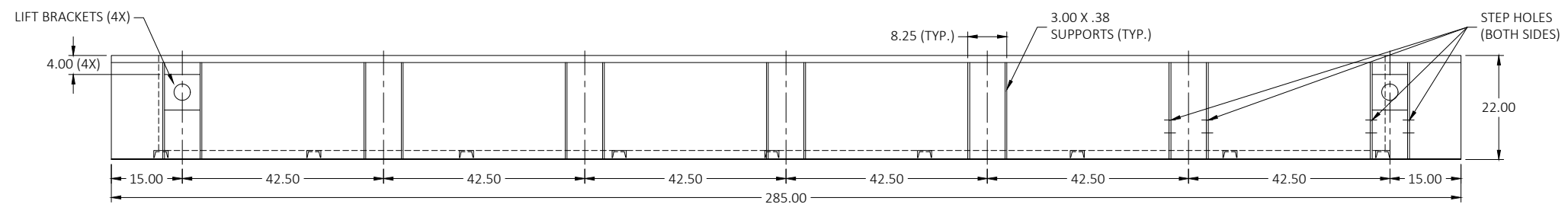
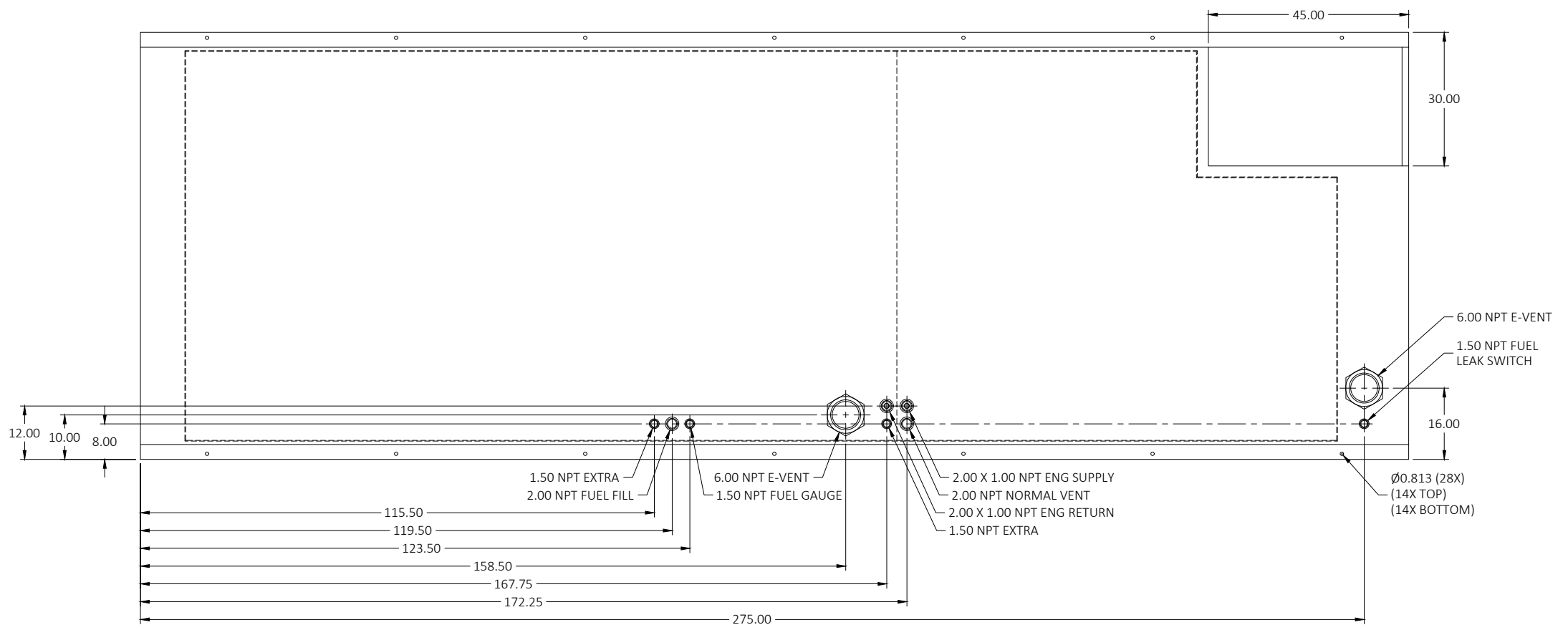
FRACTIONAL:  $\pm \frac{1}{32}$   
 ANGULAR:  $\pm 1'$   
 X.X =  $\pm .1$   
 X.XX =  $\pm .03$   
 X.XXX =  $\pm .010$

DIMENSIONS ARE IN INCHES

DO NOT SCALE DRAWING

NAME	DATE	SIZE	PART NUMBER:
CRC	12-12-22	B	19663
APPROVED:	CRC	SCALE: NONE	APPROX. WEIGHT: 6,200 LBS
			SHEET 1 OF 1

24HR / 1,800GL FUEL TANK  
MD800-01, MD1000-01  
LV3



- NOTES:
1. MATERIAL: PER UL/ULC REQUIREMENTS
  2. SECONDARY CONTAINMENT TANK
  3. TANK TO INCLUDE:
    - FUEL SUPPLY/RETURN DIP TUBES
    - LIFTING/TIE DOWN BRACKETS

MATERIAL: SEE NOTES      FINISH: BLACK HAMMERED

R05	CONVERT TO SOLIDWORKS (3D)	05-11-20	CRC
LEVEL:	DESCRIPTION:	DATE:	BY:
REVISIONS:			
<small>THE INFORMATION CONTAINED IN THIS DRAWING IS THE SOLE PROPERTY OF BLUE STAR POWER SYSTEMS, INC. ANY REPRODUCTION, IN PART OR AS A WHOLE, WITHOUT THE WRITTEN PERMISSION IS PROHIBITED.</small>			
<small>2250 CARLSON DRIVE, NORTH MANKATO, MINNESOTA 56003   1 507 345 1776</small>			
TANK SB 1800GL DW SC UL/ULC W/ STUB-UP			
	NAME	DATE	SIZE PART NUMBER:
	DRAWN BY: CRC	12-12-22	<b>B</b> 20234
	APPROVED: CRC	12-12-22	SCALE: NONE APPROX. WEIGHT: 7,200LBS SHEET 1 OF 1

REMOVE ALL BURRS AND SHARP EDGES  
 TOLERANCE UNLESS OTHER SPECIFIED:  
 FRACTIONAL: ± 1/32  
 ANGULAR: ± 1°  
 X.X = ± .1  
 X.XX = ± .03  
 X.XXX = ± .010  
 DIMENSIONS ARE IN INCHES  
 DO NOT SCALE DRAWING