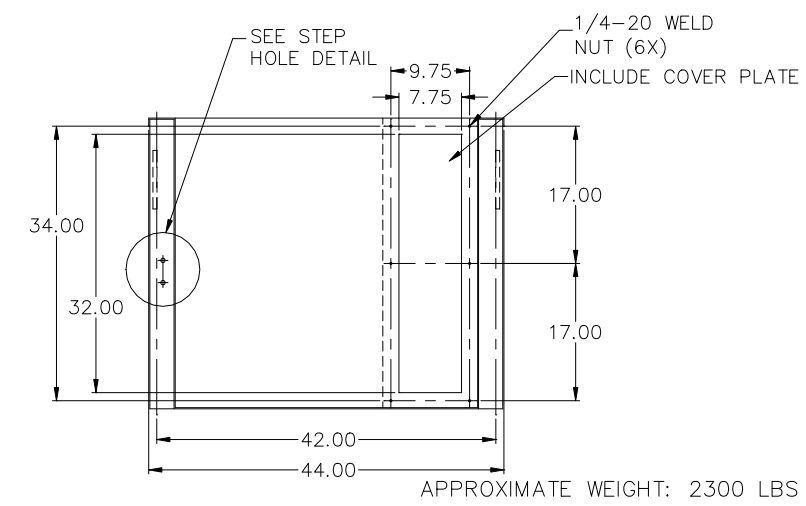
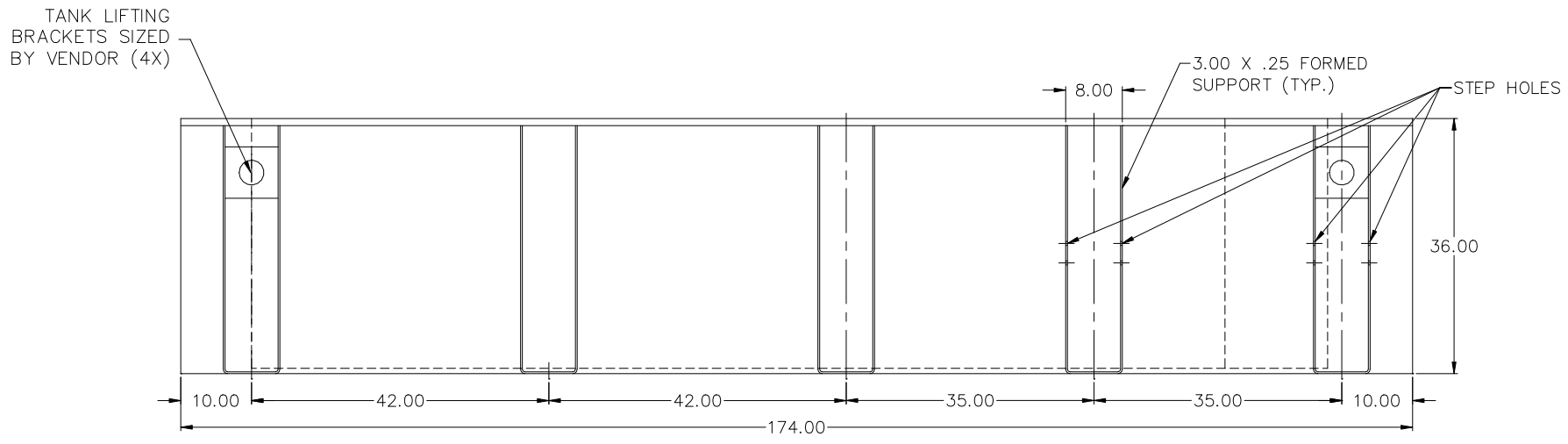
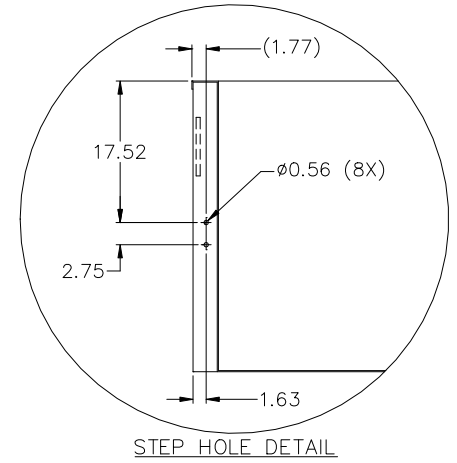
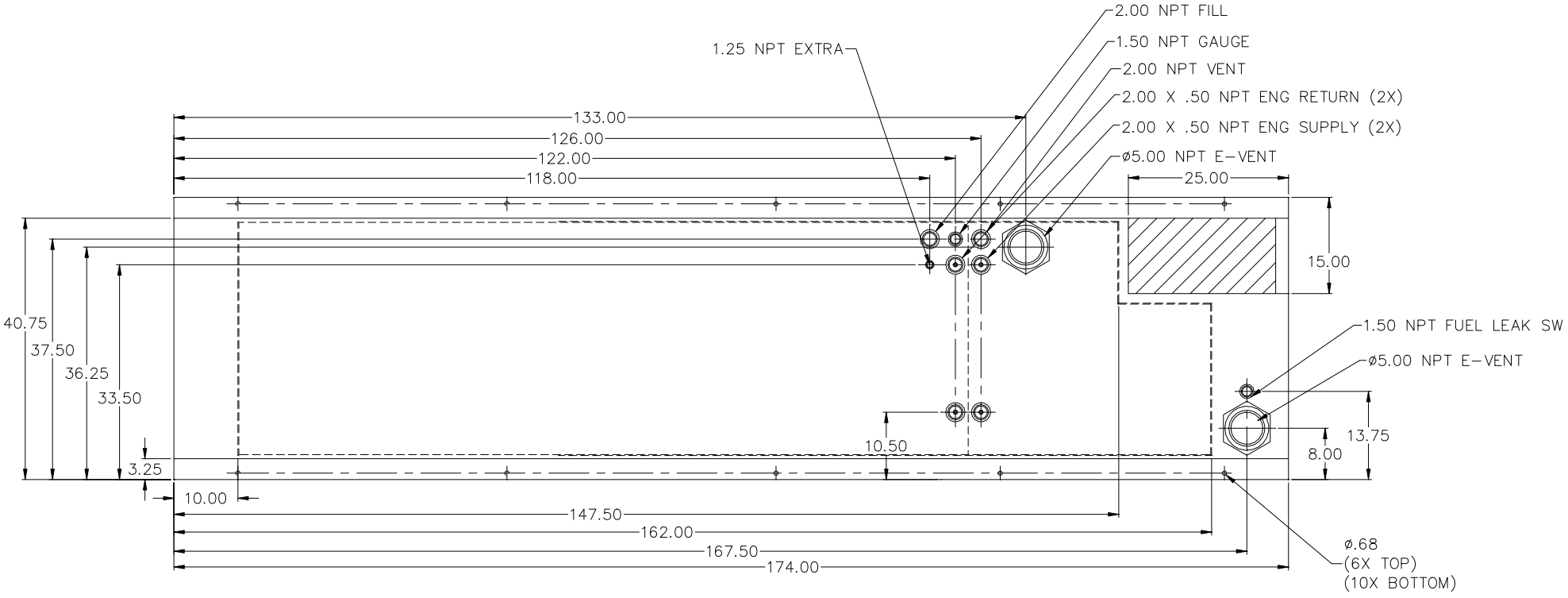


72HR TANK
JD80, JD100, JD125
VD100-01
PD80, PD100
LV0/LV1/LV2



- NOTES:
 1. MATERIAL: 10GA
 2. SECONDARY CONTAINMENT TANK
 3. FINISH PAINT SEMI GLOSS BLACK
 4. TANK TO INCLUDE
 - FUEL SUPPLY / RETURN DIP TUBES
 - LIFTING / TIE DOWN BRACKETS

REVISIONS:			
LEVEL:	DESCRIPTION:	DATE:	BY:
NA	NA	NA	NA
01	ADDED FITTINGS	6-7-18	TDH

BLUE STAR
 Power Systems Inc.

TANK SB 750GL DW UL W/STUB-UP

P/N: 19896 | 174"L X 44"W X 36"H

DATE: 12-21-15 | BY: KDH | DRAWN TO SCALE