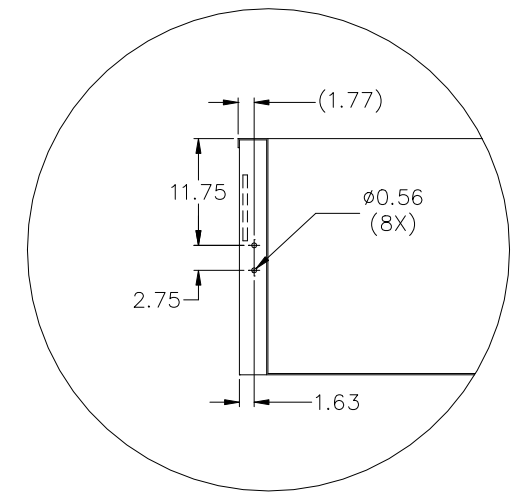
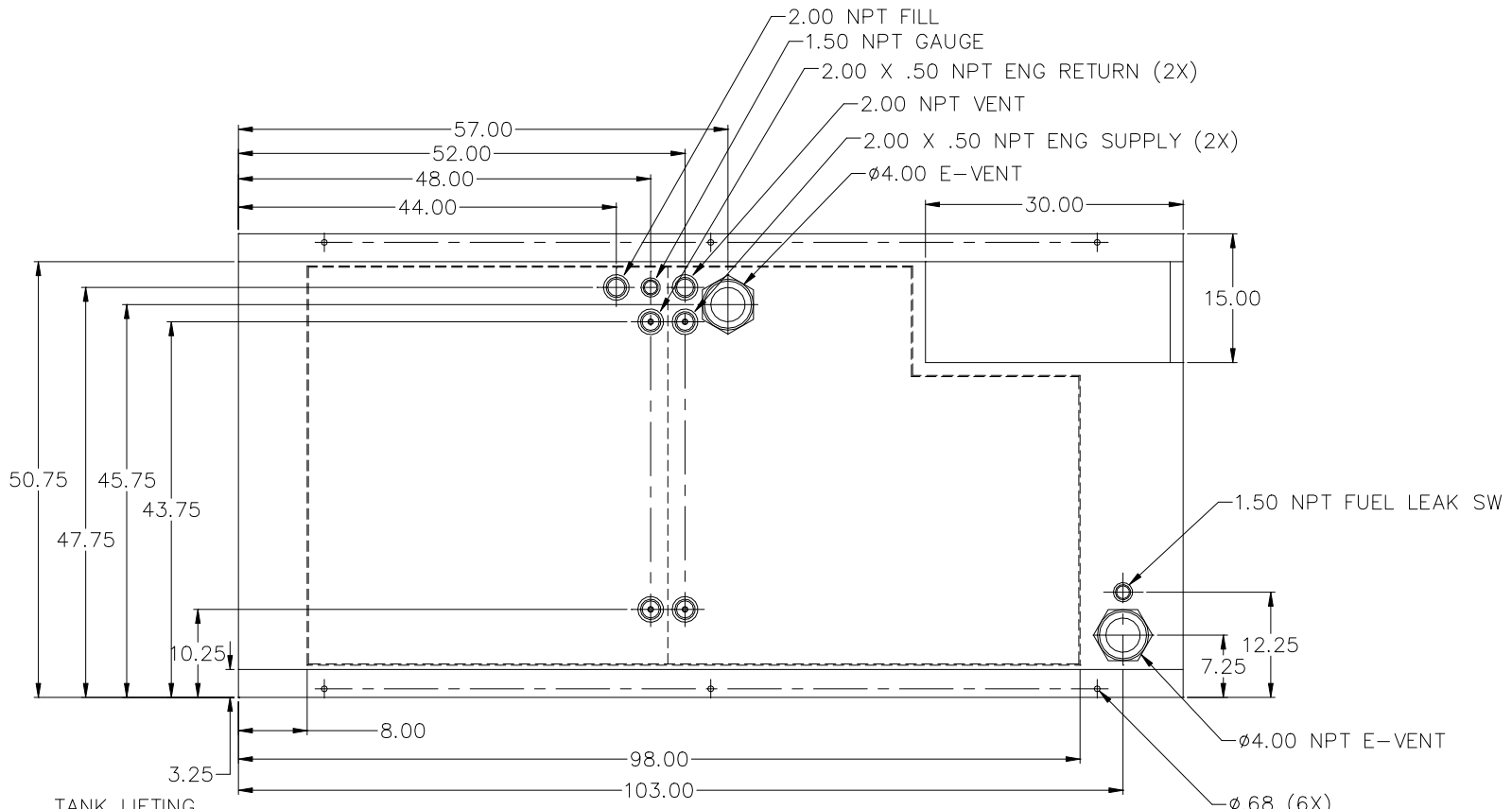
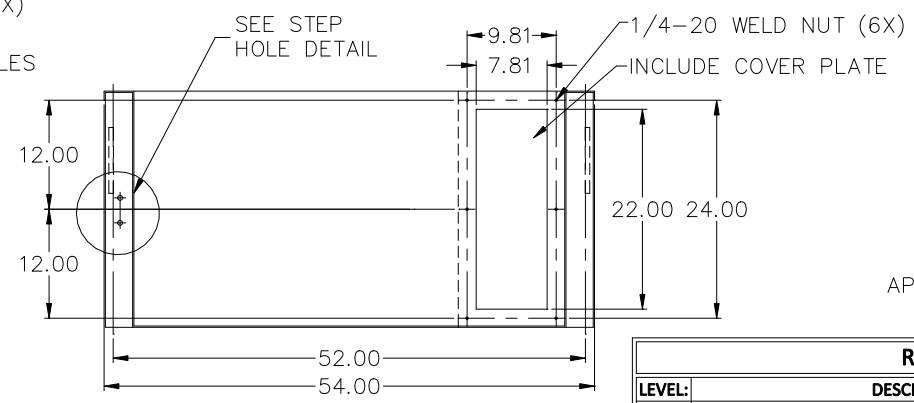
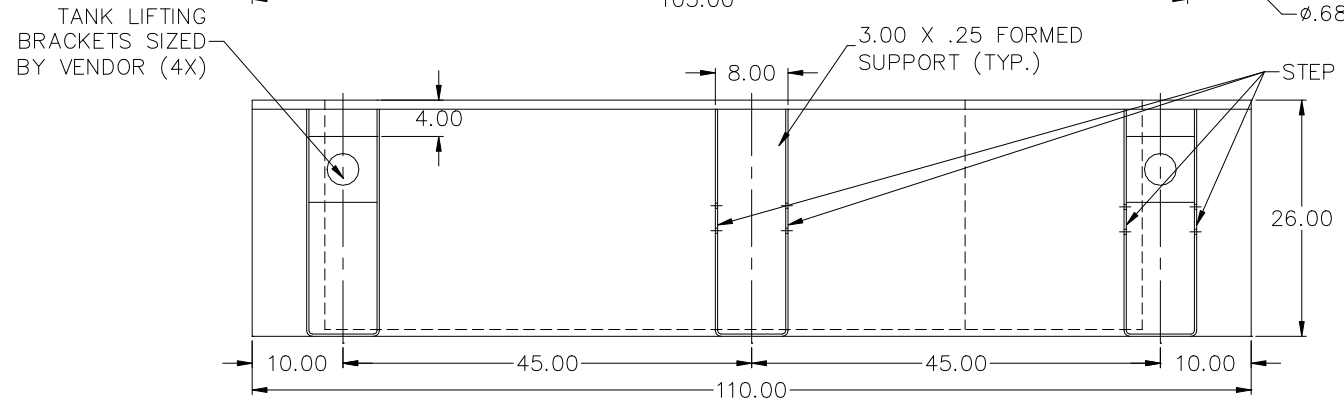


**24HR TANK  
 JD150, JD200  
 VD150, VD200  
 PD125, PD150, PD180, PD200  
 LV0/LV1/LV2/LV3**



STEP HOLE DETAIL



APPROXIMATE WEIGHT: 1400 LBS

- NOTES:
1. MATERIAL: 10GA
  2. SECONDARY CONTAINMENT TANK
  3. FINISH PAINT GLOSS BLACK
  4. TANK TO INCLUDE
    - FUEL SUPPLY / RETURN DIP TUBES
    - LIFTING / TIE DOWN BRACKETS

REVISIONS:			
LEVEL:	DESCRIPTION:	DATE:	BY:
03	ADDED SECOND SUPPLY AND RETURN FOR PD ENGINES	6-5-18	TDH



<b>TANK SB 375GL DW UL W/STUB-UP</b>			
P/N: 18019	110"L X 54"W X 26"H		
DATE: 12-15-15	BY: KDH	DRAWN TO SCALE	