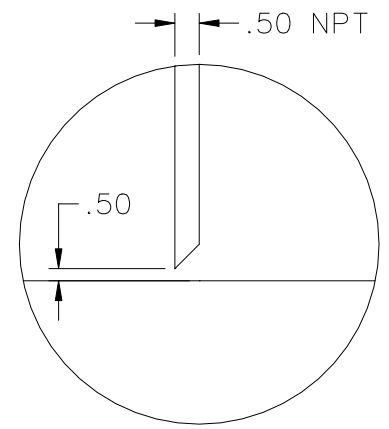
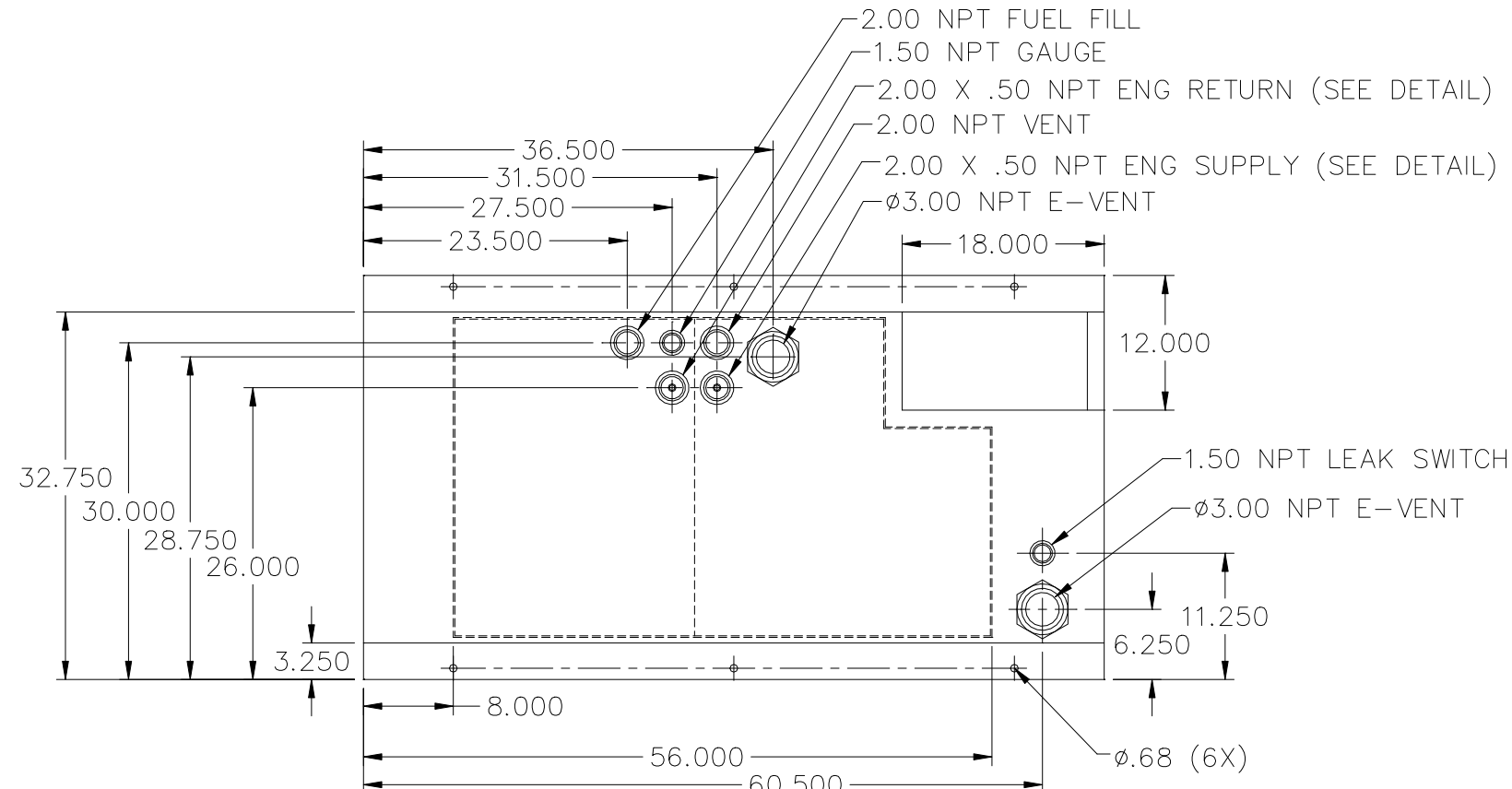
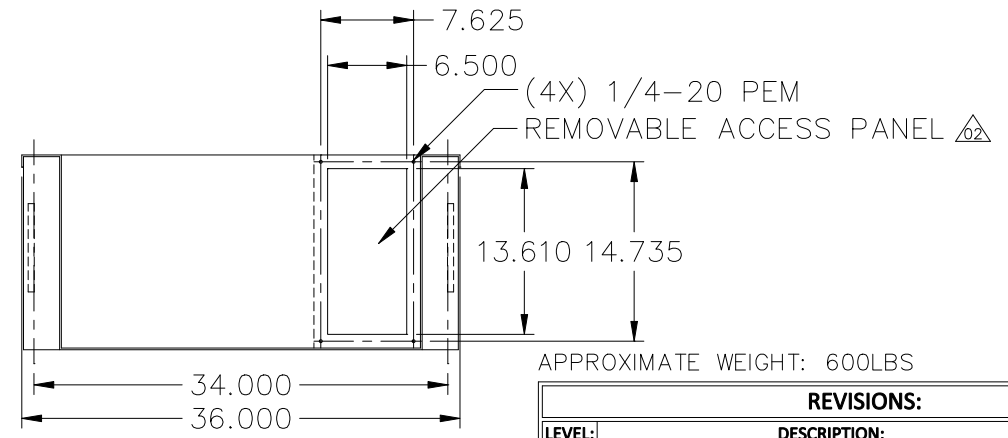
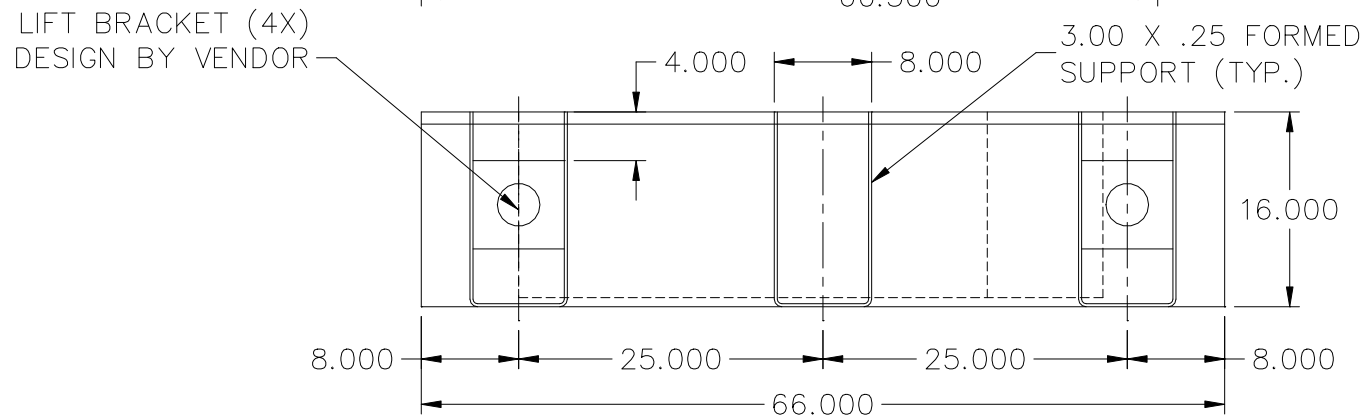


**24HR. TANK
JD30 (IT4)
PD20
LV0/LV1/LV2/LV3**



△ DIP TUBE DETAIL
SCALE 2:1



APPROXIMATE WEIGHT: 600LBS

- NOTES:
 1. MATERIAL: 10GA
 2. SECONDARY CONTAINMENT TANK
 3. FINISH PAINT GLOSS BLACK
 4. TANK TO INCLUDE
 - FUEL SUPPLY / RETURN DIP TUBES
 - LIFTING / TIE DOWN BRACKETS

REVISIONS:			
LEVEL:	DESCRIPTION:	DATE:	BY:
03	ADD DIP TUBE DETAIL	07-02-18	KAP
02	ADD REMOVABLE ACCESS PANEL	5/31/18	JPG
01	CHANGE E-VENT 2" TO 3" FOR UL REQ. AT CAB	01-04-17	KAP

BLUE STAR
Power Systems Inc.

TANK SB 70GL DW UL W/STUB-UP

P/N: 20042	66" LX 36" W X 16" H
DATE: 12-15-15	BY: KDH
	DRAWN TO SCALE