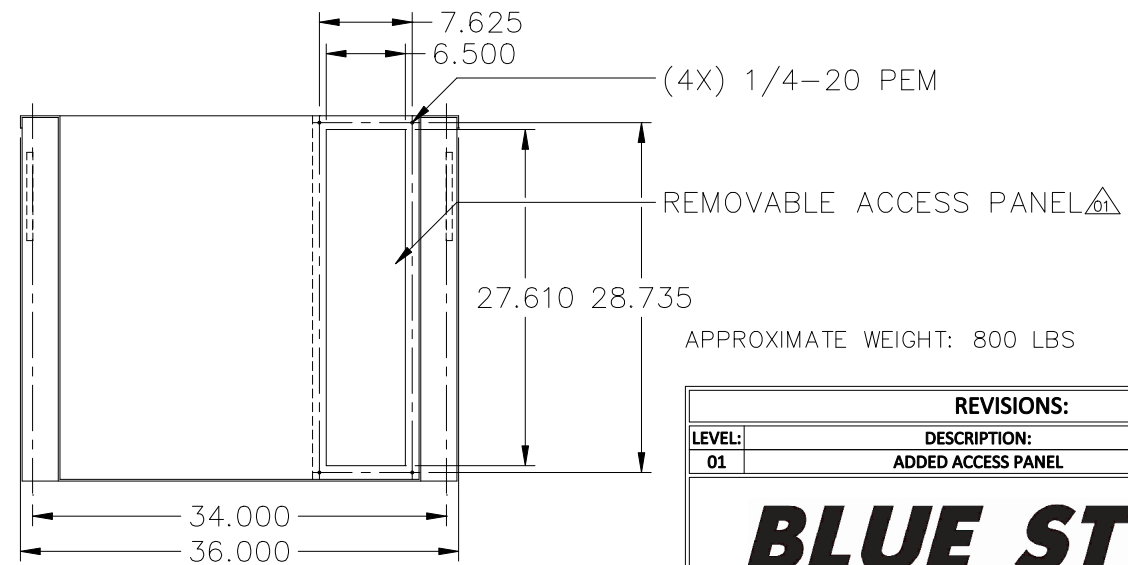
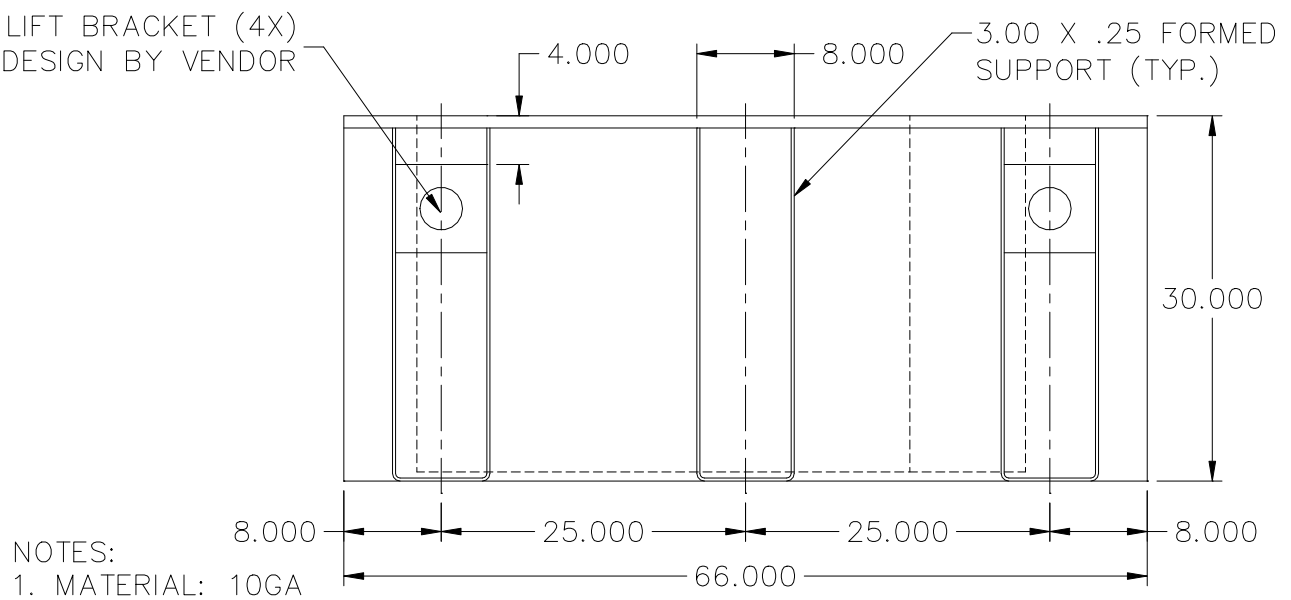
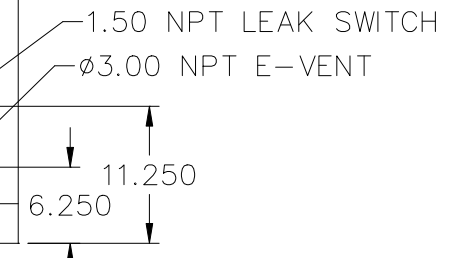
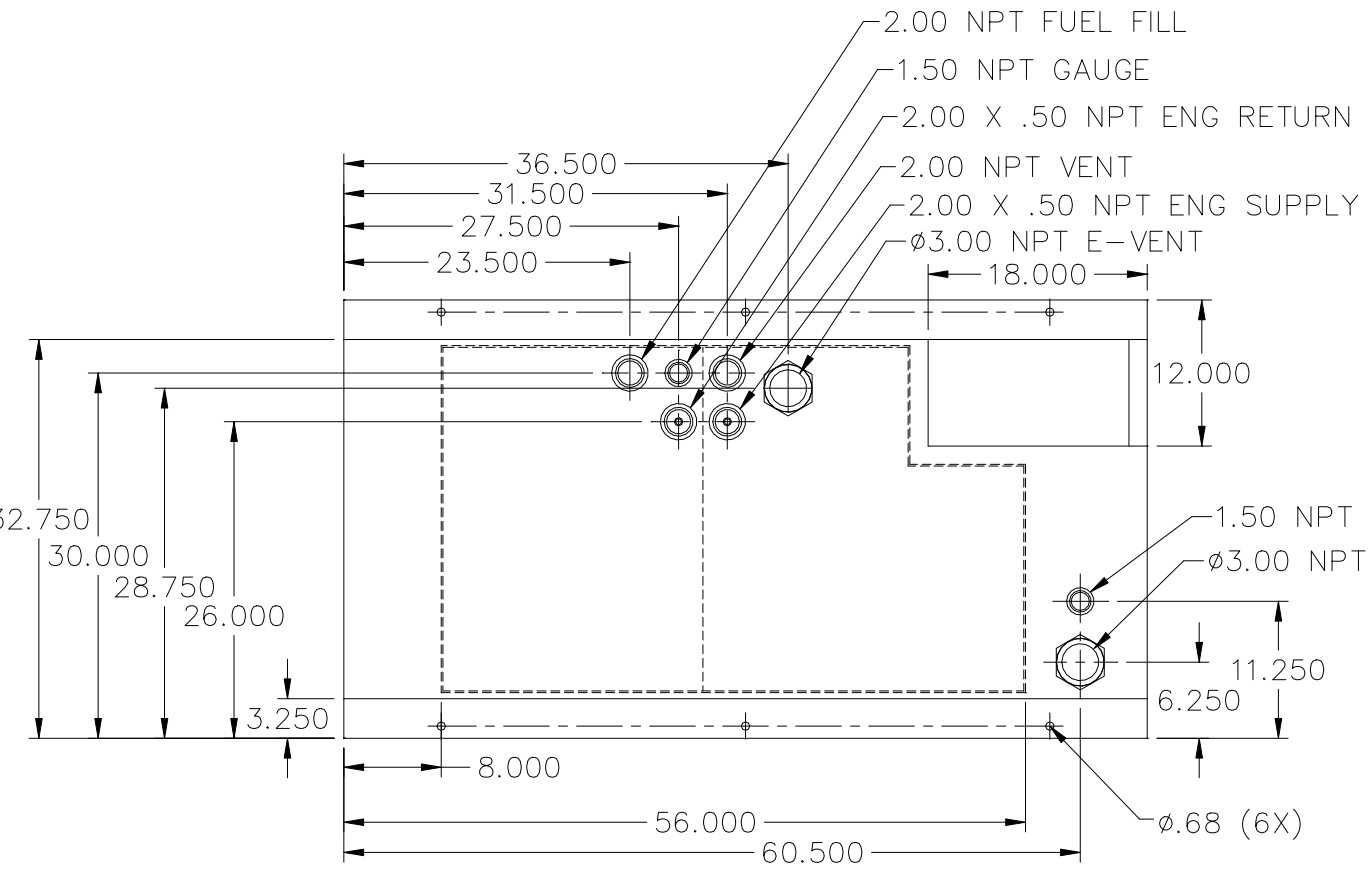


**48HR. TANK
JD30 (IT4)
PD20
LV0/LV1/LV2/LV3**



APPROXIMATE WEIGHT: 800 LBS

- NOTES:
 1. MATERIAL: 10GA
 2. SECONDARY CONTAINMENT TANK
 3. FINISH PAINT GLOSS BLACK
 4. TANK TO INCLUDE
 - FUEL SUPPLY / RETURN DIP TUBES
 - LIFTING / TIE DOWN BRACKETS

REVISIONS:			
LEVEL:	DESCRIPTION:	DATE:	BY:
01	ADDED ACCESS PANEL	5/31/18	JPG

BLUE STAR
Power Systems Inc.

TANK SB 140GL DW UL W/STUB-UP

P/N: 19793	66" L X 36" W X 30" H
DATE: 12-15-15	BY: KDH
	DRAWN TO SCALE