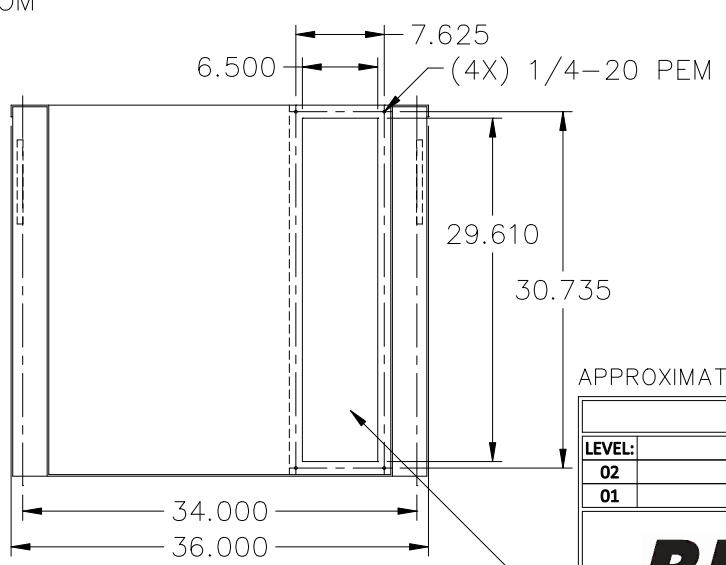
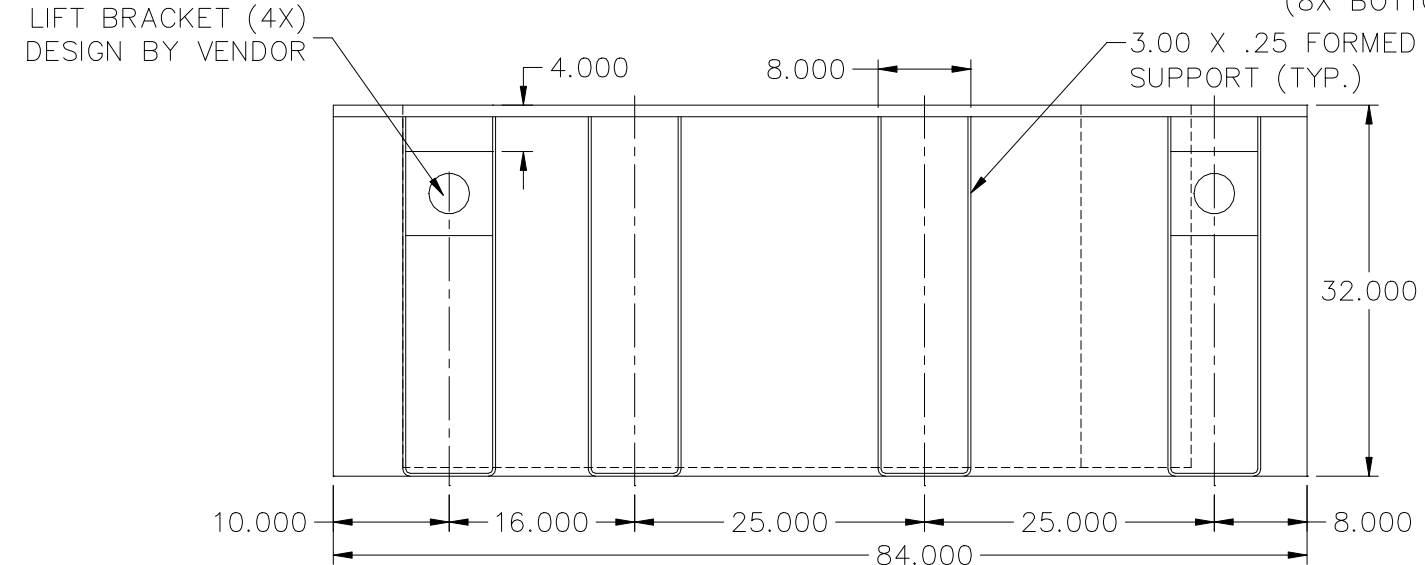
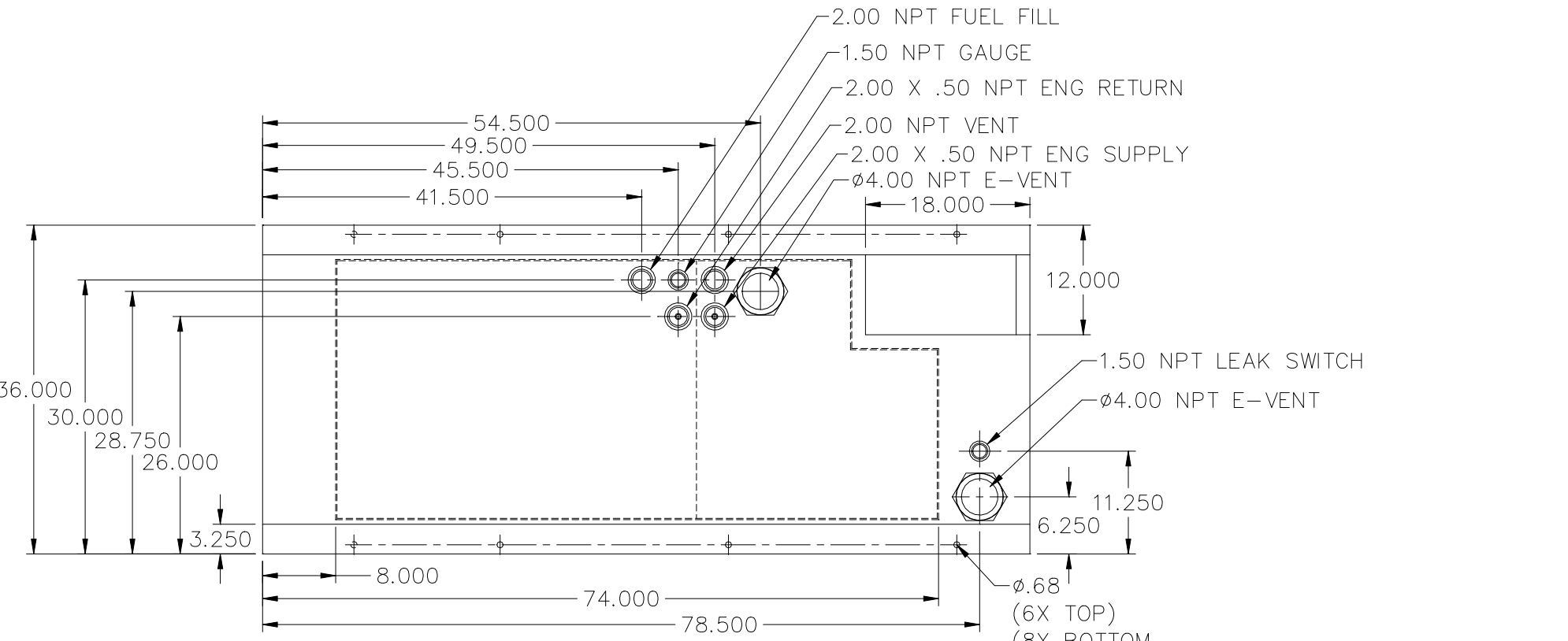


**72HR. TANK
JD30 (IT4)
PD20
LV0/LV1/LV2/LV3**



APPROXIMATE WEIGHT: 1100 LBS

REVISIONS:			
LEVEL:	DESCRIPTION:	DATE:	BY:
02	ADDED ACCESS PANEL	5/31/18	JPG
01	CHANGED TO 4" E-VENT	01-19-17	KDH

- NOTES:
1. MATERIAL: 10GA
 2. SECONDARY CONTAINMENT TANK
 3. FINISH PAINT GLOSS BLACK
 4. TANK TO INCLUDE
 - FUEL SUPPLY / RETURN DIP TUBES
 - LIFTING / TIE DOWN BRACKETS

BLUE STAR
Power Systems Inc.

TANK SB 210GL DW UL W/STUB-UP

P/N: 20108	84" L X 36" W X 32" H
DATE: 12-21-15	BY: KDH DRAWN TO SCALE