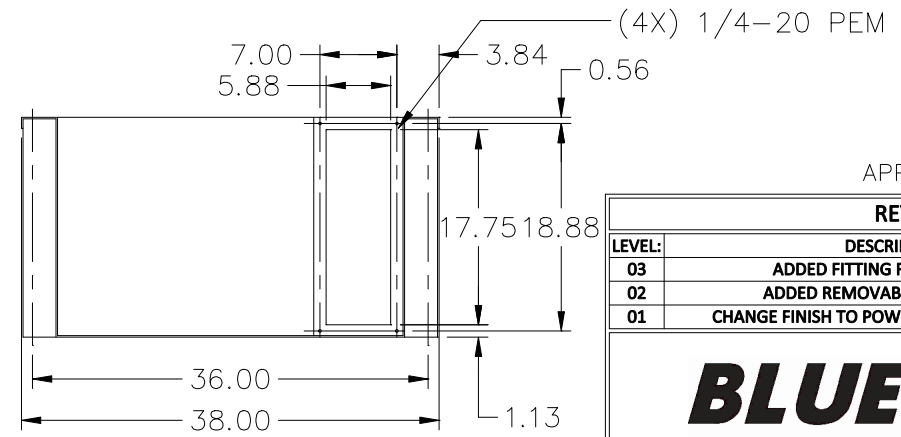
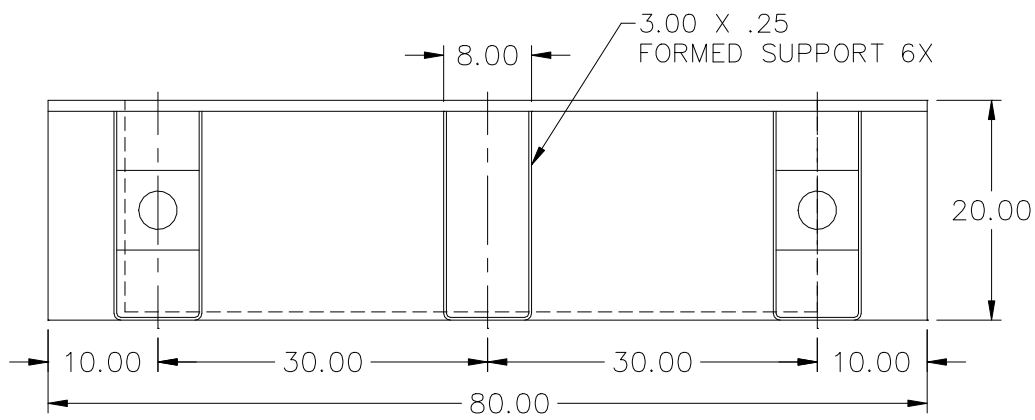
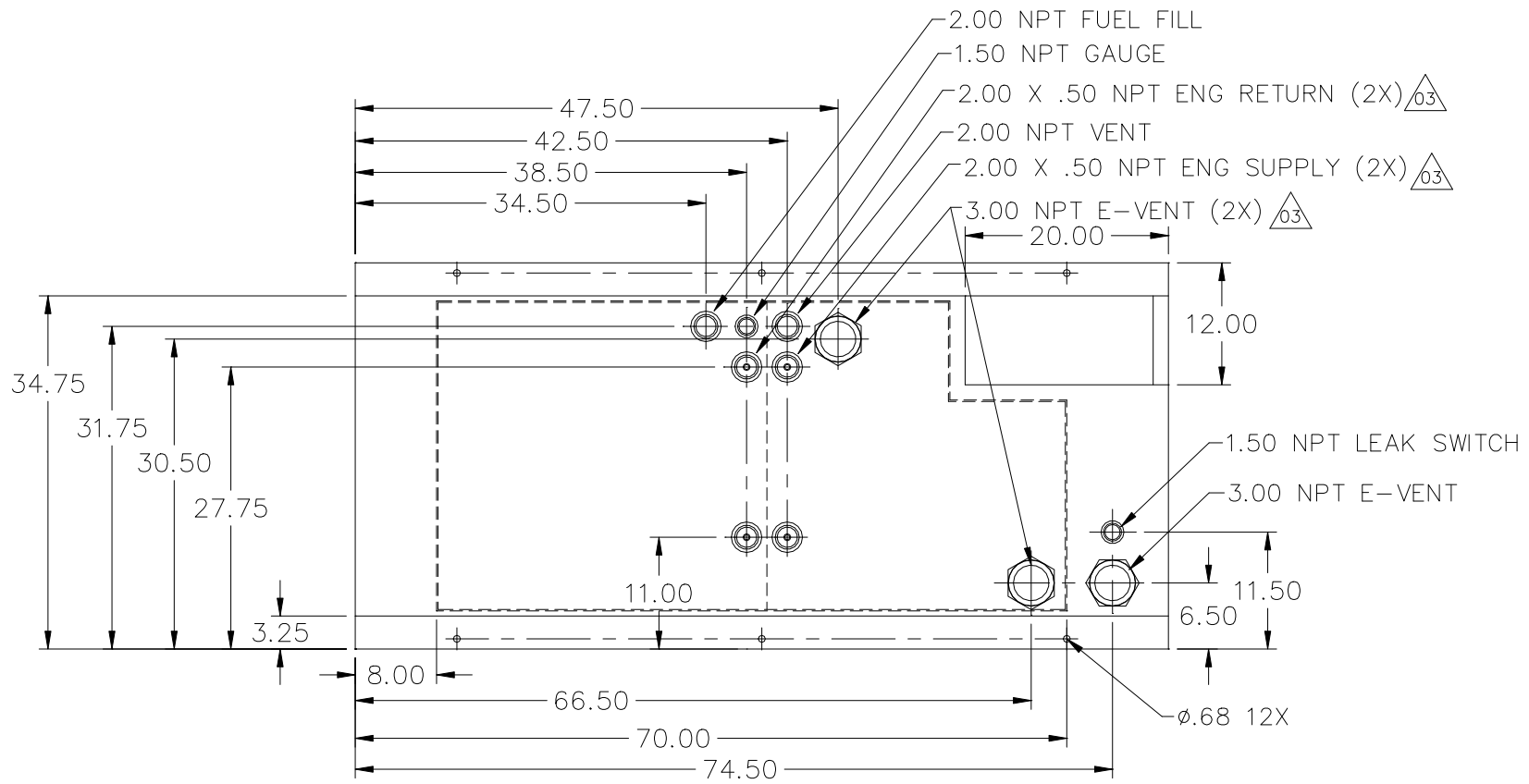


**24HR TANK
JD40, JD50, JD60
PD30-01, PD50-01,
PD60-01
LV0/LV1/LV2/LV3**



APPROXIMATE WEIGHT: 750LBS

REVISIONS:

| LEVEL: | DESCRIPTION: | DATE: | BY: |
|--------|--|----------|-----|
| 03 | ADDED FITTING FOR PD ENGINES | 6/6/18 | TDH |
| 02 | ADDED REMOVABLE ACCESS PANEL | 5/24/18 | JPG |
| 01 | CHANGE FINISH TO POWDER BLACK-HAMMERED | 01-22-16 | KAP |



**TANK SB 120GL DW UL W/ STUB-UP
80 X 38 X 20**

P/N: 17722
DATE: 10-08-15 BY: KAP DRAWN TO SCALE

- NOTES:
1. MATERIAL: 10GA
 2. SECONDARY CONTAINMENT TANK
 3. FINISH: POWDER COAT BLACK-HAMMERED
 4. TANK TO INCLUDE
 - FUEL SUPPLY / RETURN DIP TUBES
 - LIFTING / TIE DOWN BRACKETS

UNLESS OTHERWISE SPECIFIED DIMENSIONS ARE IN INCHES - DO NOT SCALE DRAWING

| SHEET METAL | | | | STRUCTURAL STEEL | | | |
|-------------|-------|-------|-------|----------------------|-------|-------|-------|
| ANGLES | .X | .XX | .XXX | STRAIGHTNESS PER 8FT | .X | .XX | .XXX |
| ± 1.0° | ± .13 | ± .06 | ± .06 | — .18 | ± .18 | ± .06 | ± .06 |