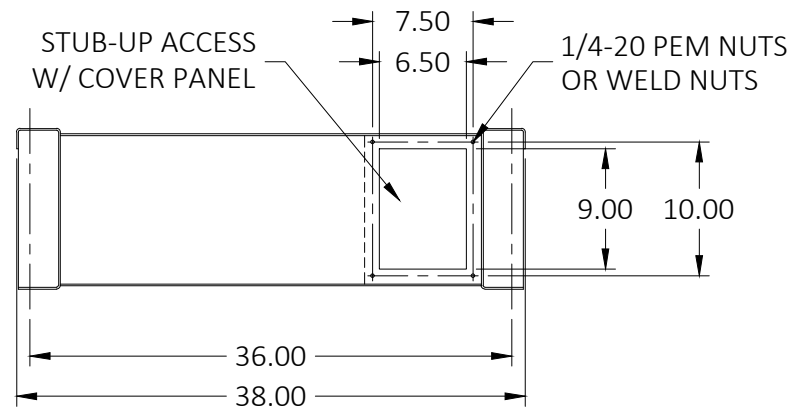
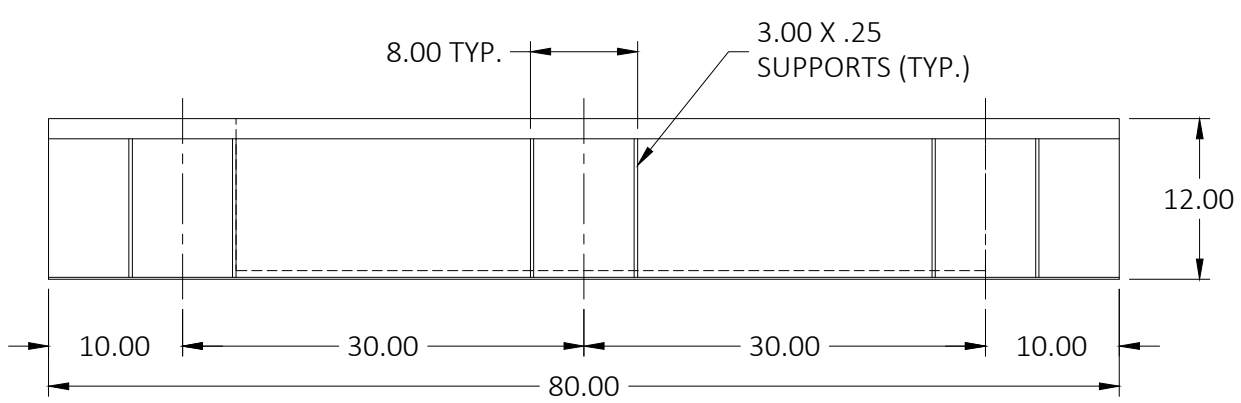
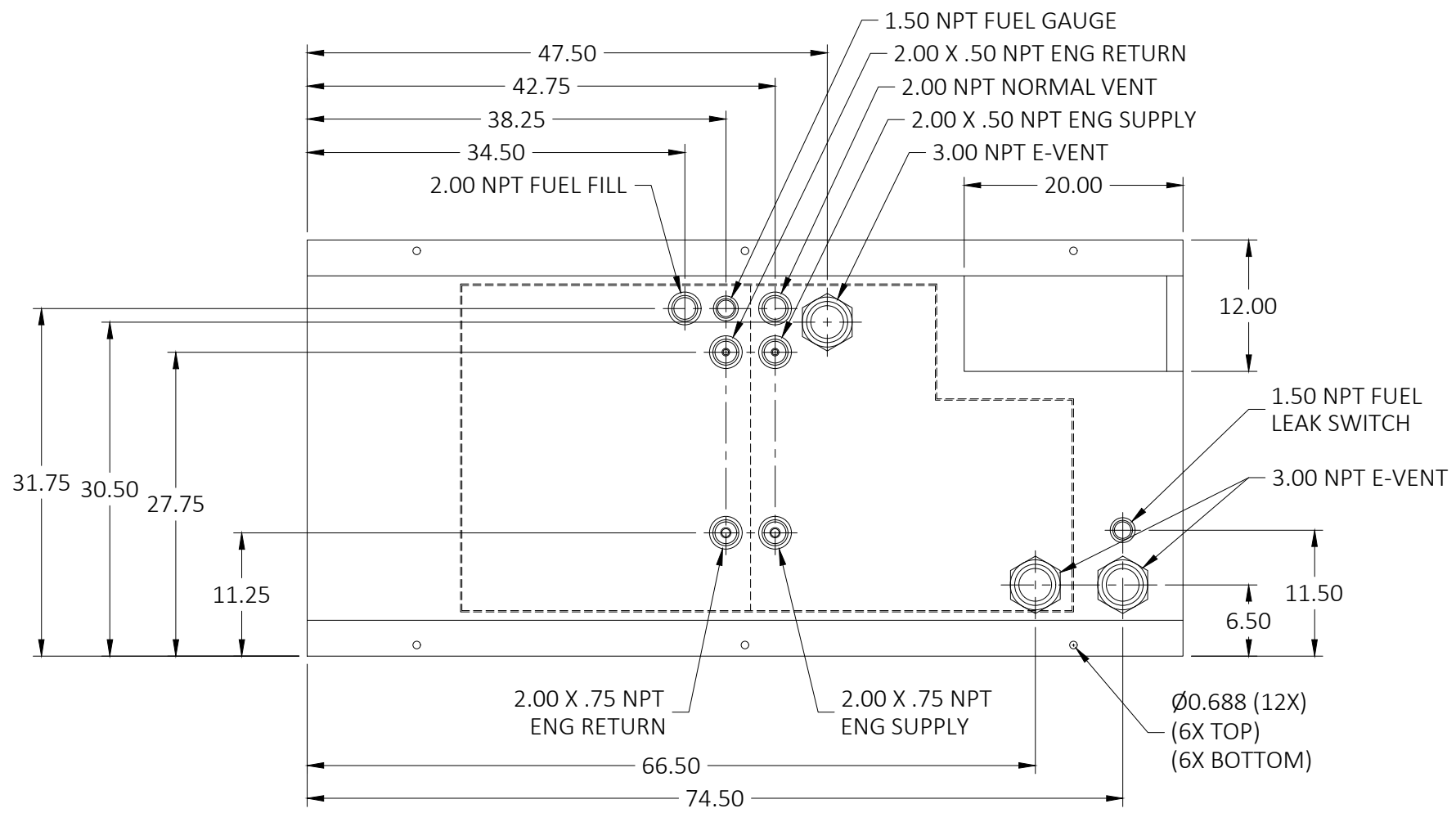


24HR / 70GL FUEL TANK

PD30-01IT4

LV0 / LV1 / LV2 / LV3



- NOTES:
1. MATERIAL: PER UL/ULC REQUIREMENTS
  2. SECONDARY CONTAINMENT TANK
  3. TANK TO INCLUDE:  
-FUEL SUPPLY/RETURN DIP TUBES

MATERIAL: SEE NOTES FINISH: BLACK HAMMERED

REMOVE ALL BURRS AND SHARP EDGES  
TOLERANCE UNLESS OTHER SPECIFIED:  
FRACTIONAL: ± 1/32  
ANGULAR: ± 1°  
X.X = ± .1  
X.XX = ± .03  
X.XXX = ± .010

LEVEL:	DESCRIPTION:	DATE:	BY:
REVISIONS:			
<small>THE INFORMATION CONTAINED IN THIS DRAWING IS THE SOLE PROPERTY OF BLUE STAR POWER SYSTEMS, INC. ANY REPRODUCTION, IN PART OR AS A WHOLE, WITHOUT THE WRITTEN PERMISSION IS PROHIBITED.</small>			
<b>BLUE STAR</b> Power Systems Inc. <small>2250 CARLSON DRIVE, NORTH MANKATO, MINNESOTA 56003   1 507 345 1776</small>			
<b>TANK SB 70GL DW SC UL/ULC W/ STUB-UP</b>			
	NAME	DATE	SIZE PART NUMBER:
	DRAWN BY: CRC	12-06-22	<b>B</b> 27865
	APPROVED: CRC	12-06-22	SCALE: NONE APPROX. WEIGHT: 650 LBS SHEET 1 OF 1