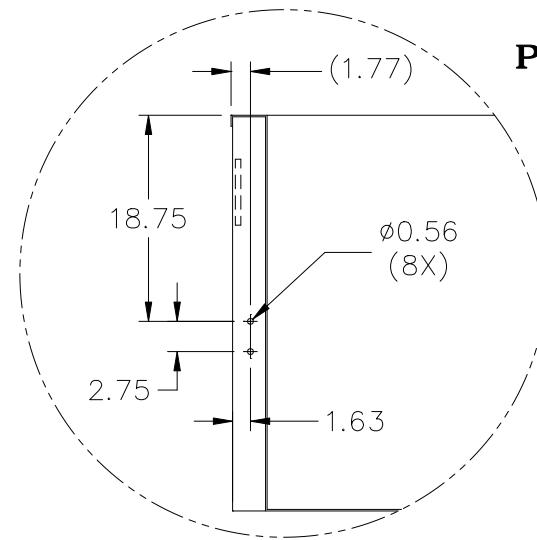
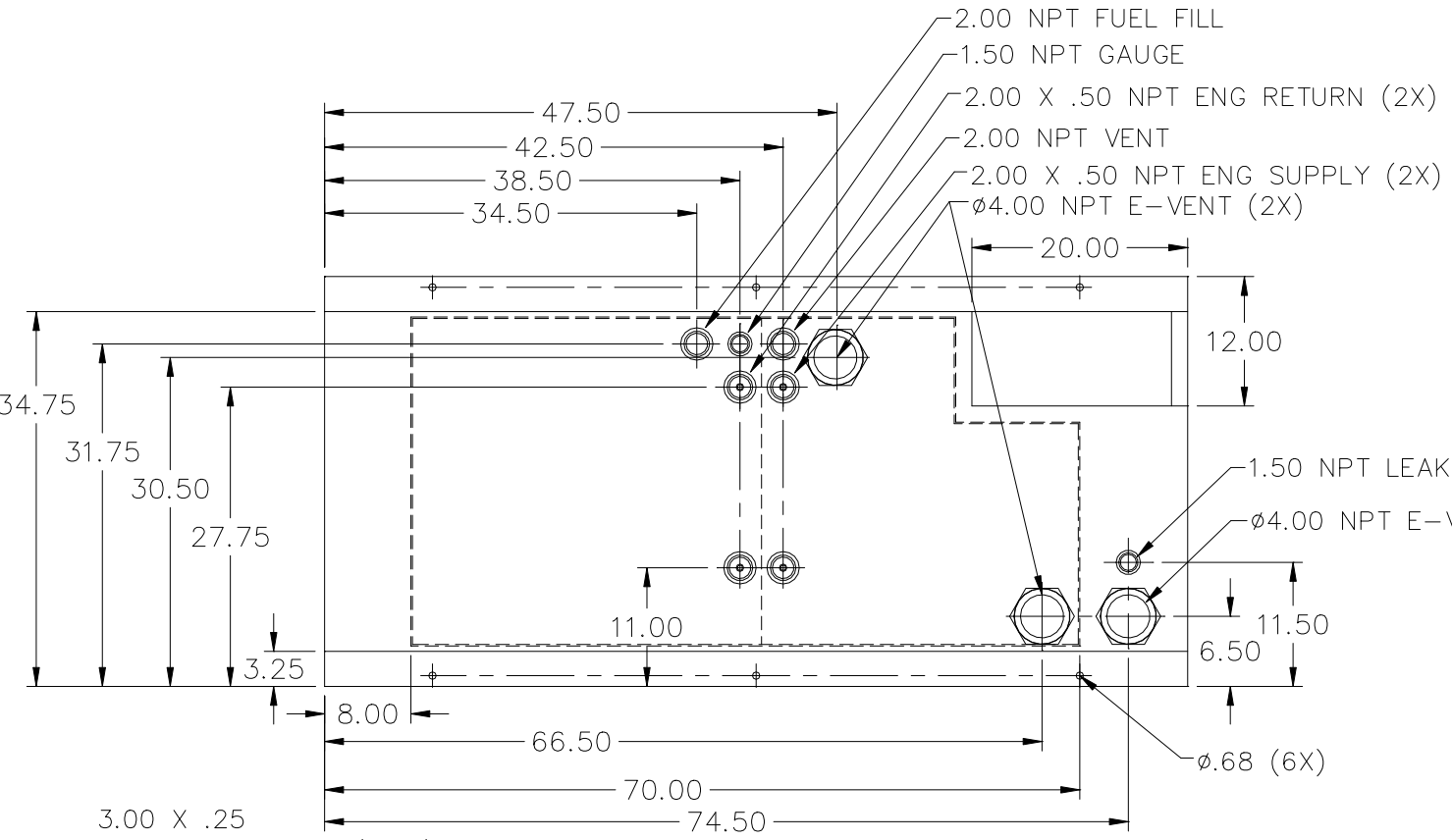
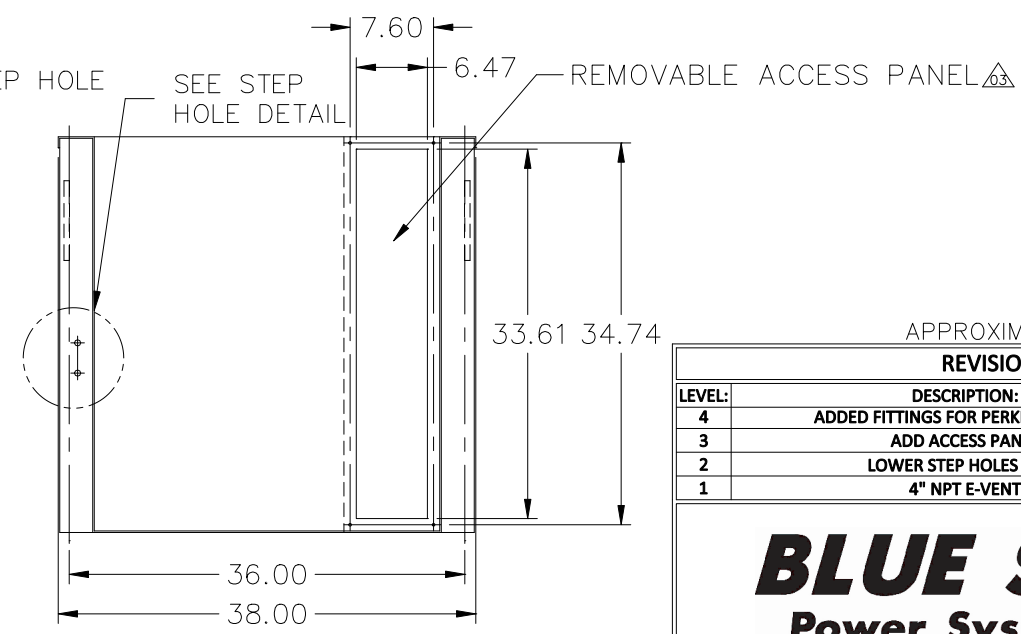
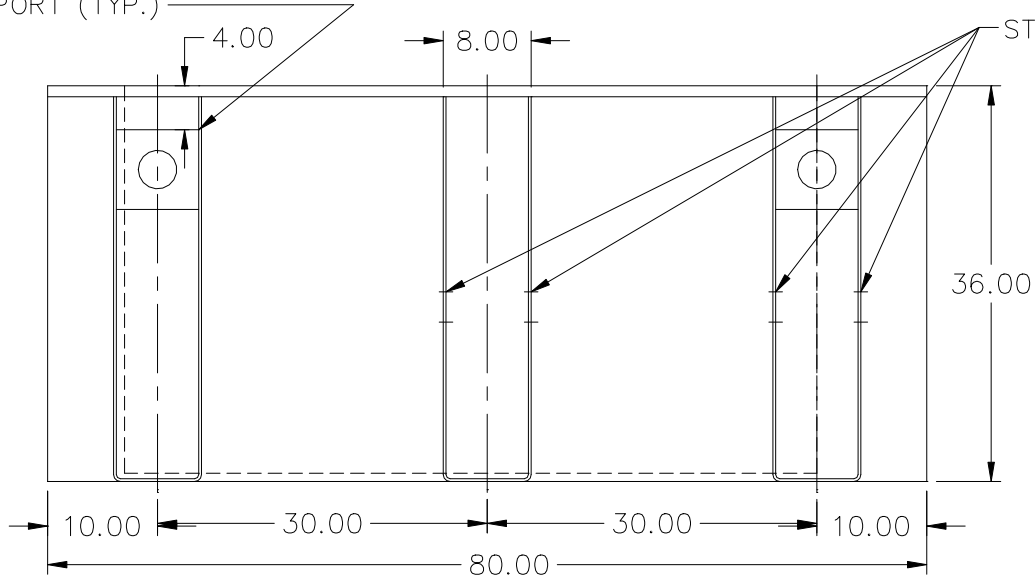


48HR TANK
JD40, JD50, JD60
PD50-01, PD60-01

PD30-01 (48HR/72HR)
LVO/LV1/LV2/LV3



STEP HOLE DETAIL



- NOTES:
1. MATERIAL: 10GA
 2. SECONDARY CONTAINMENT TANK
 3. FINISH: PAINT SEMI GLOSS BLACK
 4. TANK TO INCLUDE
 - FUEL SUPPLY / RETURN DIP TUBES
 - LIFTING / TIE DOWN BRACKETS

APPROXIMATE WEIGHT: 1100 LBS

REVISIONS:			
LEVEL:	DESCRIPTION:	DATE:	BY:
4	ADDED FITTINGS FOR PERKINS ENGINES	6-6-18	TDH
3	ADD ACCESS PANEL	5/31/18	JPG
2	LOWER STEP HOLES 2.00"	7-21-17	KAP
1	4" NPT E-VENT	4-25-16	KDH



TANK SB 240GL DW UL W/ STUB-UP

P/N: 19175	80"L X 38"W X 36"H
DATE: 12-25-15	BY: KDH
	DRAWN TO SCALE

UNLESS OTHERWISE SPECIFIED DIMENSIONS ARE IN INCHES - DO NOT SCALE DRAWING								
SHEET METAL				STRUCTURAL STEEL				
ANGLES	.X	.XX	.XXX	STRAIGHTNESS PER FWT	.X	.XX	.XXX	
	± 1.0°	± .13	± .06	± .06	± .18	± .18	± .06	± .06