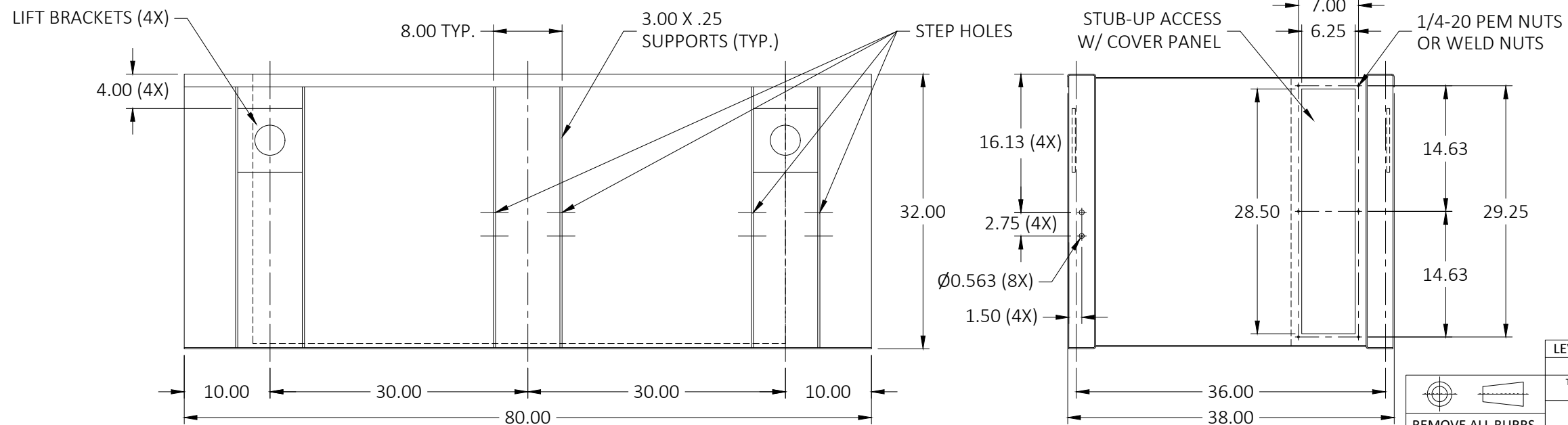
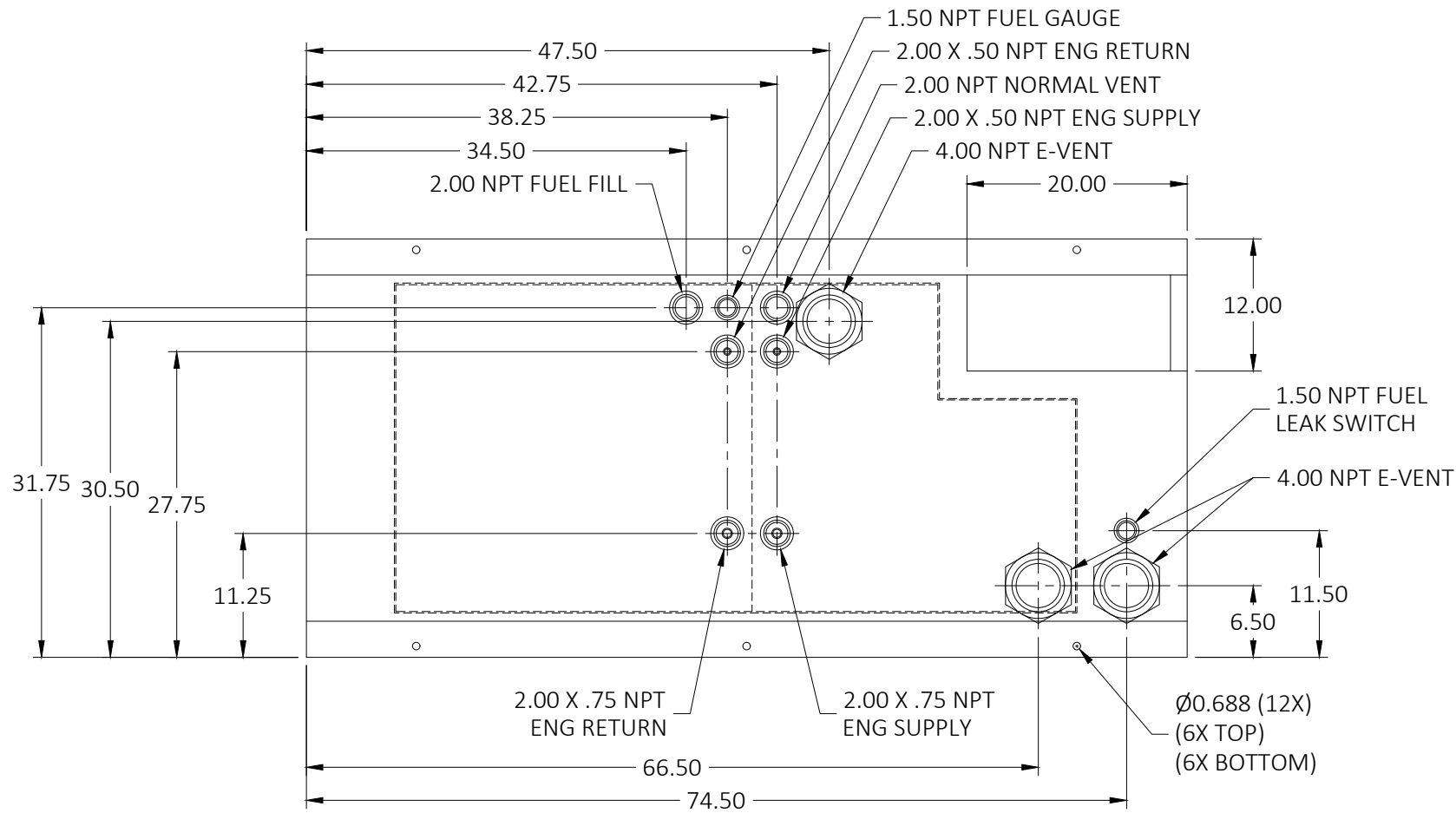


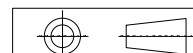
72HR / 210GL FUEL TANK
 PD30-01IT4
 LV0 / LV1 / LV2 / LV3



- NOTES:
1. MATERIAL: PER UL/ULC REQUIREMENTS
 2. SECONDARY CONTAINMENT TANK
 3. TANK TO INCLUDE:
 - FUEL SUPPLY/RETURN DIP TUBES
 - LIFTING/TIE-DOWN BRACKETS

MATERIAL: SEE NOTES

FINISH: BLACK HAMMERED



REMOVE ALL BURRS AND SHARP EDGES

TOLERANCE UNLESS OTHER SPECIFIED:

FRACTIONAL: ± 1/32
 ANGULAR: ± 1°
 X.X = ± .1
 X.XX = ± .03
 X.XXX = ± .010

DIMENSIONS ARE IN INCHES

DO NOT SCALE DRAWING

| LEVEL: | DESCRIPTION: | DATE: | BY: |
|---|---------------|----------|--|
| REVISIONS: | | | |
| <small>THE INFORMATION CONTAINED IN THIS DRAWING IS THE SOLE PROPERTY OF BLUE STAR POWER SYSTEMS, INC. ANY REPRODUCTION, IN PART OR AS A WHOLE, WITHOUT THE WRITTEN PERMISSION IS PROHIBITED.</small> | | | |
| BLUE STAR Power Systems Inc. | | | |
| <small>2250 CARLSON DRIVE, NORTH MANKATO, MINNESOTA 56003 1 507 345 1776</small> | | | |
| TANK SB 210GL DW SC UL/ULC W/ STUB-UP | | | |
| | NAME | DATE | SIZE PART NUMBER: |
| | DRAWN BY: CRC | 12-06-22 | B 27867 |
| | APPROVED: CRC | 12-06-22 | SCALE: NONE APPROX. WEIGHT: 1,200 LBS SHEET 1 OF 1 |