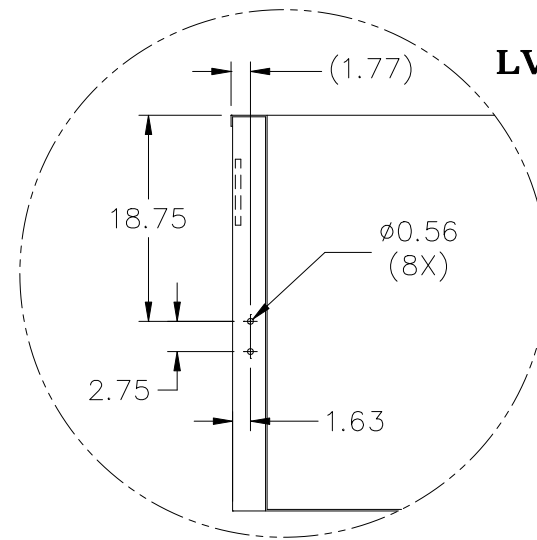
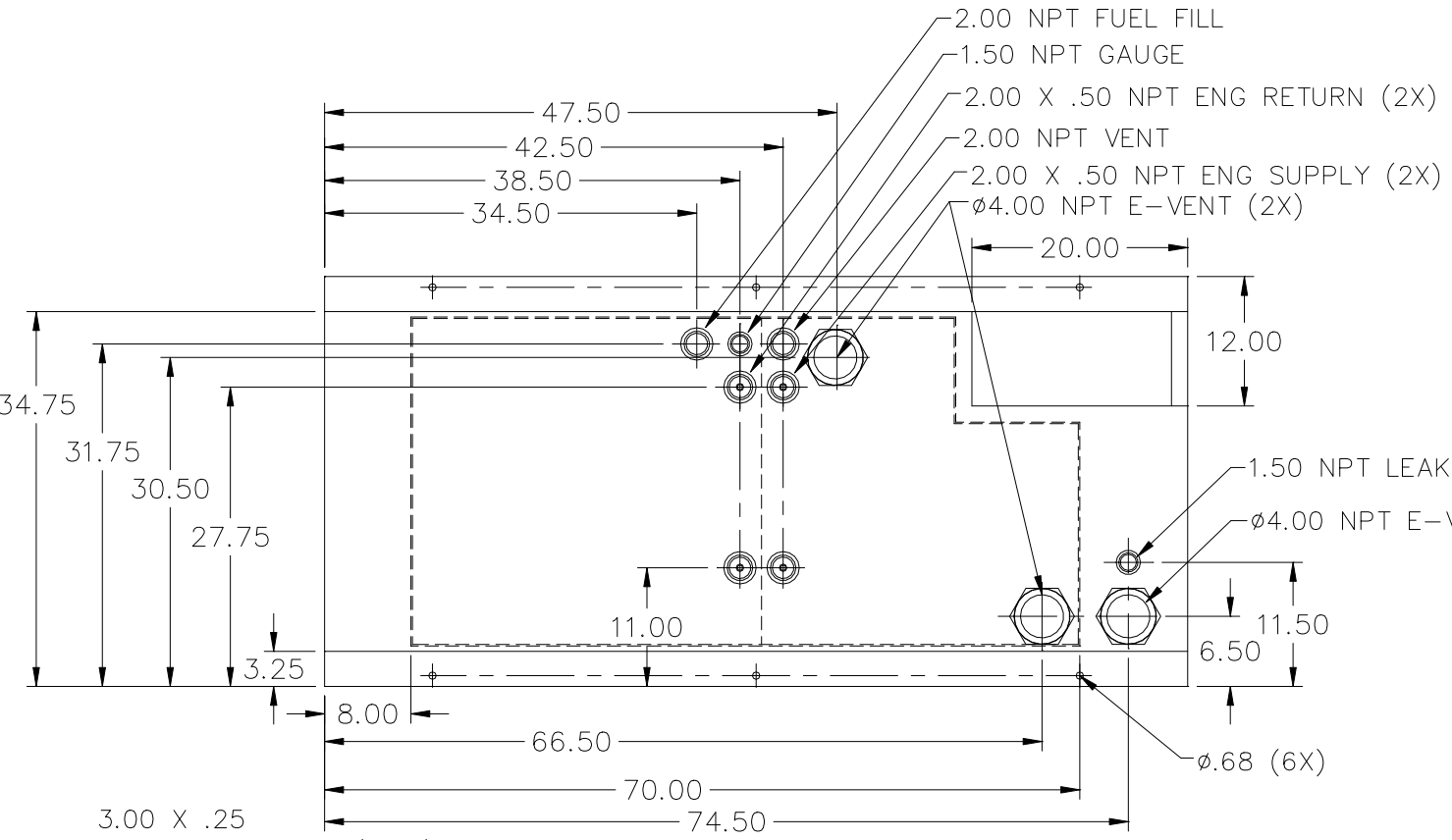
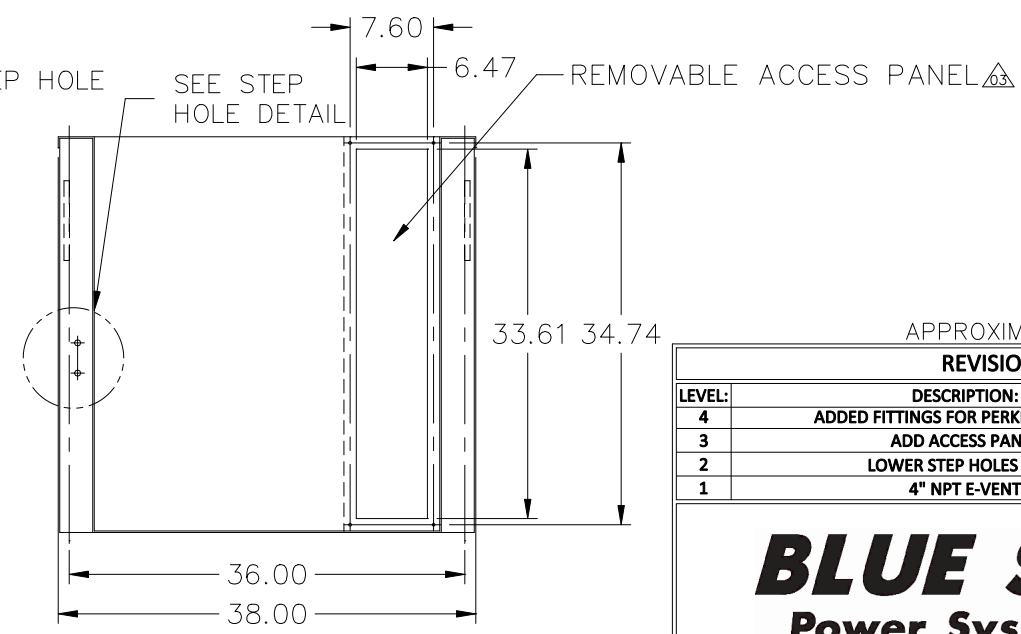
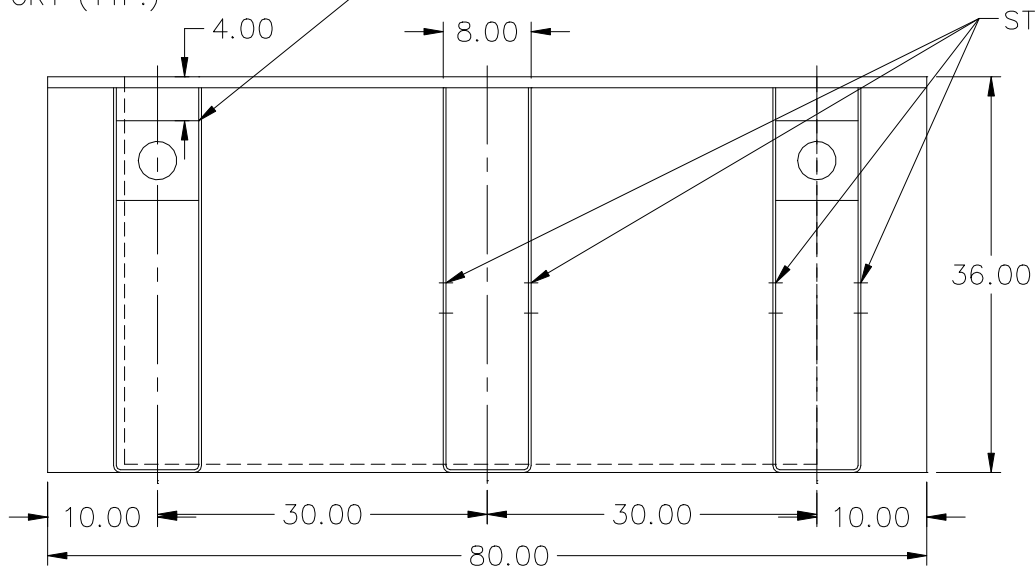


**48HR TANK**  
**JD40, JD50, JD60**  
**PD30-01, PD50-01,**  
**PD60-01**  
**LVO/LV1/LV2/LV3**



STEP HOLE DETAIL

3.00 X .25  
FORMED SUPPORT (TYP.)



APPROXIMATE WEIGHT: 1100 LBS

**REVISIONS:**

LEVEL:	DESCRIPTION:	DATE:	BY:
4	ADDED FITTINGS FOR PERKINS ENGINES	6-6-18	TDH
3	ADD ACCESS PANEL	5/31/18	JPG
2	LOWER STEP HOLES 2.00"	7-21-17	KAP
1	4" NPT E-VENT	4-25-16	KDH



**TANK SB 240GL DW UL W/ STUB-UP**

P/N: 19175	80"L X 38"W X 36"H
DATE: 12-25-15	BY: KDH
	DRAWN TO SCALE

- NOTES:
- MATERIAL: 10GA
  - SECONDARY CONTAINMENT TANK
  - FINISH: PAINT SEMI GLOSS BLACK
  - TANK TO INCLUDE
    - FUEL SUPPLY / RETURN DIP TUBES
    - LIFTING / TIE DOWN BRACKETS

UNLESS OTHERWISE SPECIFIED DIMENSIONS ARE IN INCHES - DO NOT SCALE DRAWING

SHEET METAL				STRUCTURAL STEEL				
ANGLES	.X	.XX	.XXX	STRAIGHTNESS PER 8FT	.X	.XX	.XXX	
	± 1.0°	± .13	± .06	± .06	— .18	± .18	± .06	± .06