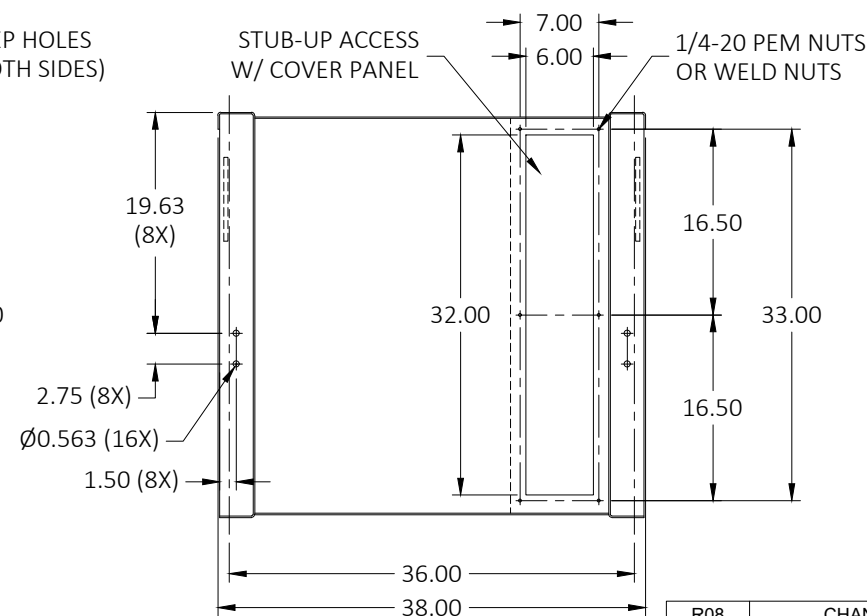
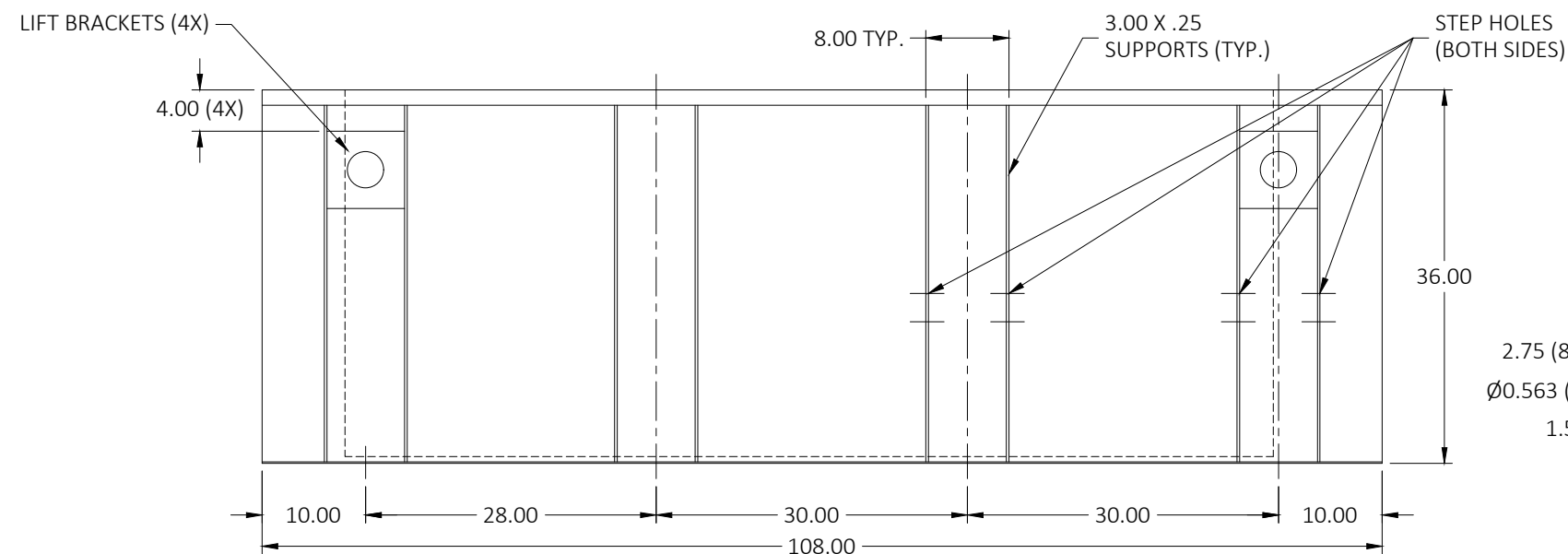
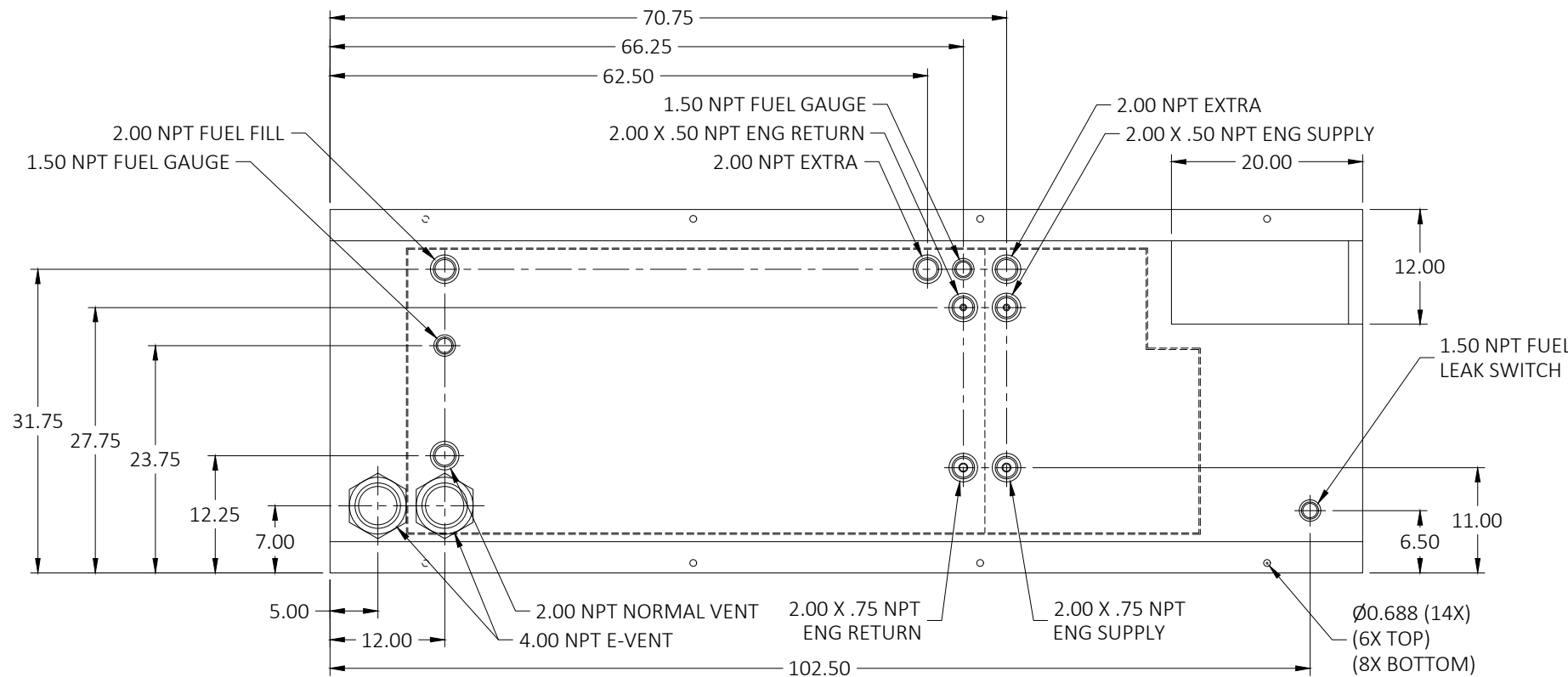


72HR / 360GL FUEL TANK  
 JD40-03, JD50-03, JD60-03  
 PD50-01, PD60-01  
 LV0 / LV1 / LV2 / LV3



- NOTES:
- MATERIAL: PER UL/ULC REQUIREMENTS
  - SECONDARY CONTAINMENT TANK
  - TANK TO INCLUDE:
    - FUEL SUPPLY/RETURN DIP TUBES
    - LIFTING/TIE DOWN BRACKETS

MATERIAL: SEE NPTEs

FINISH: BLACK HAMMERED



REMOVE ALL BURRS AND SHARP EDGES

TOLERANCE UNLESS OTHER SPECIFIED:

FRACTIONAL: ± 1/32  
 ANGULAR: ± 1'  
 X.X = ± .1  
 X.XX = ± .03  
 X.XXX = ± .010

DIMENSIONS ARE IN INCHES

DO NOT SCALE DRAWING

R08	CHANGED FINISH TO BLACK HAMMERED	08-24-20	CRC
LEVEL:	DESCRIPTION:	DATE:	BY:

REVISIONS:

THE INFORMATION CONTAINED IN THIS DRAWING IS THE SOLE PROPERTY OF BLUE STAR POWER SYSTEMS, INC. ANY REPRODUCTION, IN PART OR AS A WHOLE, WITHOUT THE WRITTEN PERMISSION IS PROHIBITED.



TANK SB 360GL DW SC UL/ULC W/ STUB-UP

NAME	DATE	SIZE	PART NUMBER:
DRAWN BY: CRC	11-17-22	B	19442
APPROVED: CRC	11-17-22	SCALE: NONE	APPROX. WEIGHT: 1,500 LBS