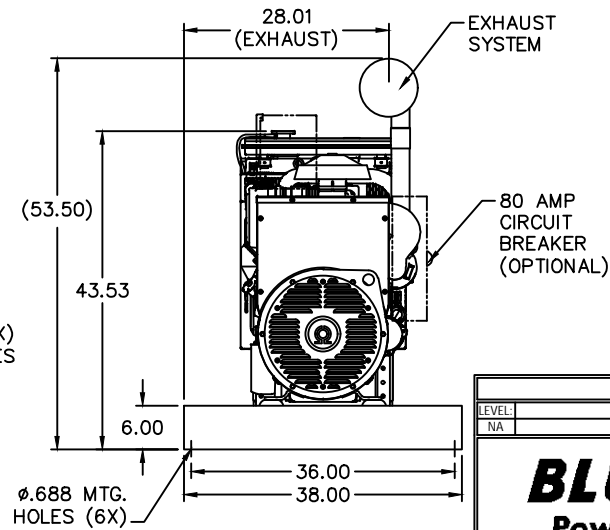
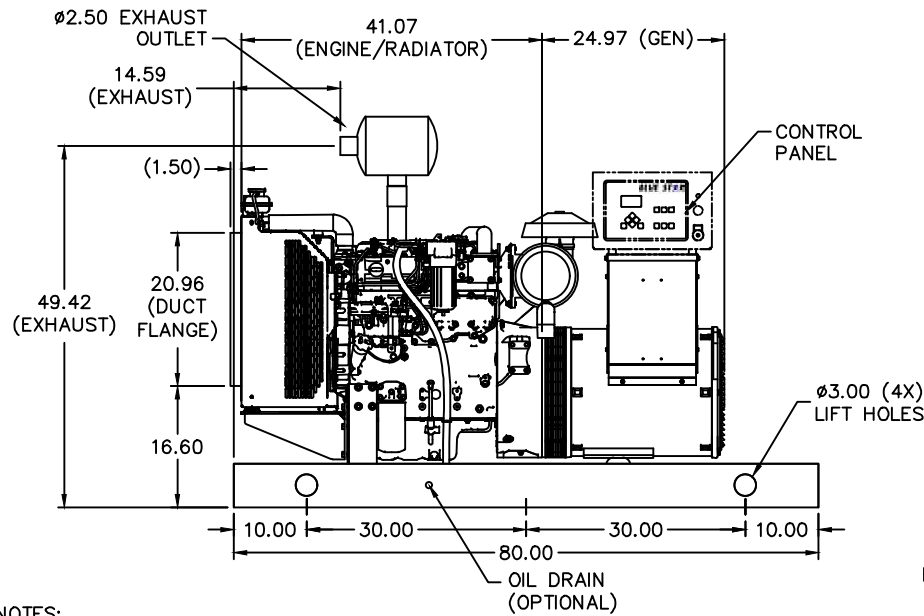
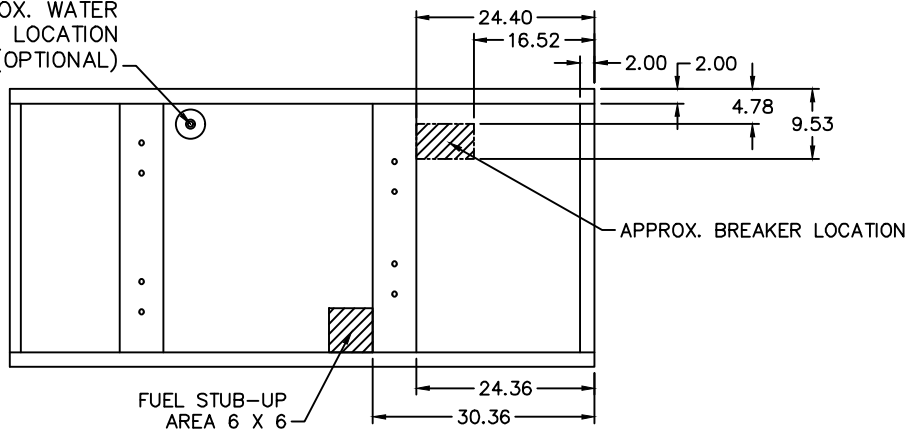


DRAWING: PD50-01-LVO

APPROX. WATER HEATER LOCATION (OPTIONAL)



NOTES:

1. FUEL SUPPLY: 3/8" FUEL RETURN: 5/16"
2. DUCT FLANGE WIDTH 20.42"
3. APPROX. BREAKER LOCATION SHOWN
4. (XX.XX) DIMENSIONS ARE FOR REFERENCE ONLY

REVISIONS:

LEVEL	DESCRIPTION	DATE	BY
NA	NA	NA	NA

BLUE STAR
Power Systems Inc.

ENG: 1104D-44TG1	GEN: 361
RAD: W/ ENG	BASE: 21863 HSG: NA
DATE: 03-07-19	BY: JJH DRAWN TO SCALE