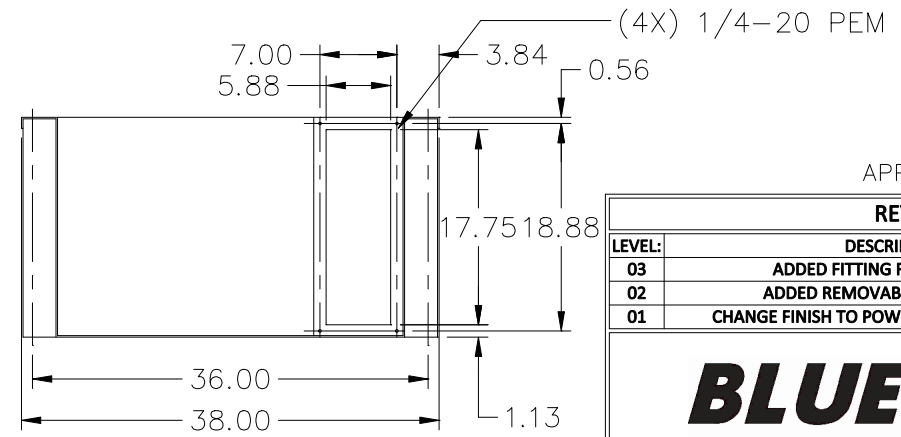
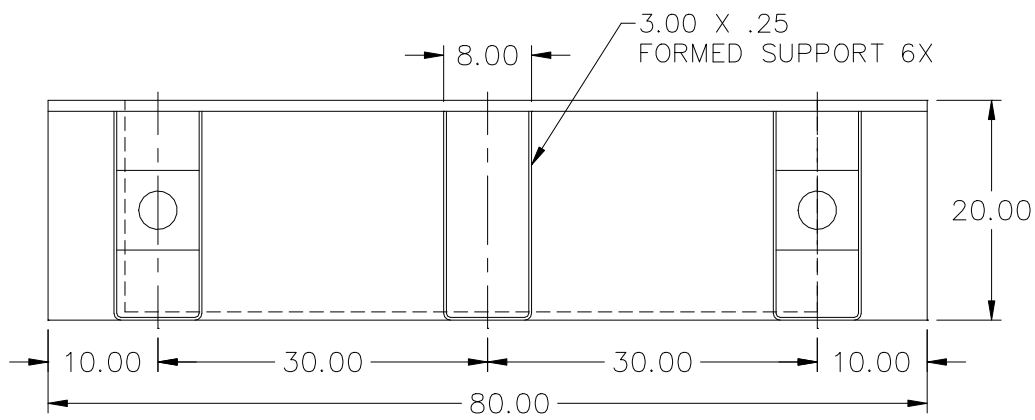
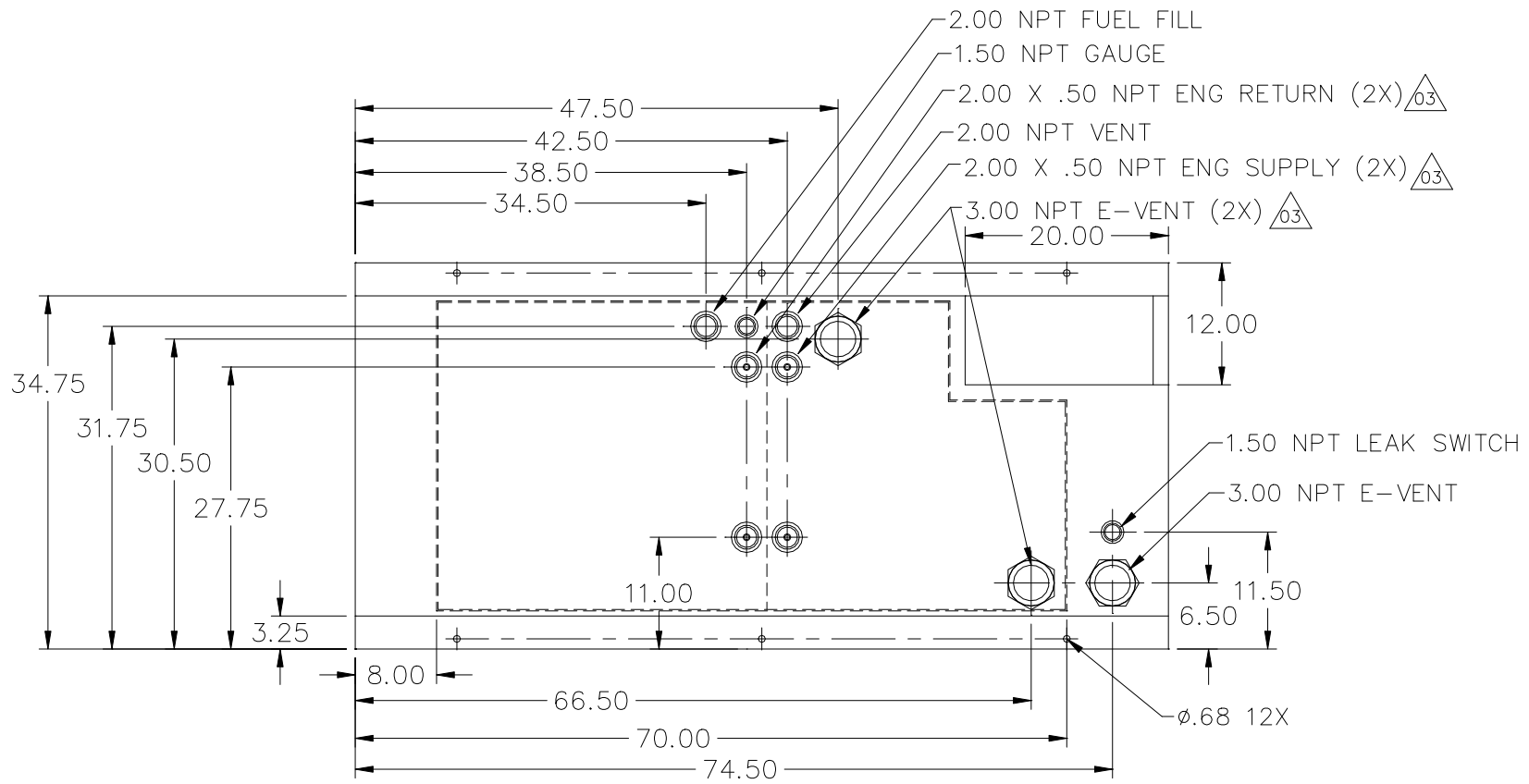


**24HR TANK
 JD40-03
 JD50-03
 JD60-03
 PD30-01, PD50-01,
 PD60-01**



APPROXIMATE WEIGHT: 750LBS

REVISIONS:			
LEVEL:	DESCRIPTION:	DATE:	BY:
03	ADDED FITTING FOR PD ENGINES	6/6/18	TDH
02	ADDED REMOVABLE ACCESS PANEL	5/24/18	JPG
01	CHANGE FINISH TO POWDER BLACK-HAMMERED	01-22-16	KAP



**TANK SB 120GL DW UL W/ STUB-UP
 80 X 38 X 20**

P/N: 17722
 DATE: 10-08-15 BY: KAP DRAWN TO SCALE

- NOTES:
 1. MATERIAL: 10GA
 2. SECONDARY CONTAINMENT TANK
 3. FINISH: POWDER COAT BLACK-HAMMERED
 4. TANK TO INCLUDE
 - FUEL SUPPLY / RETURN DIP TUBES
 - LIFTING / TIE DOWN BRACKETS

UNLESS OTHERWISE SPECIFIED DIMENSIONS ARE IN INCHES - DO NOT SCALE DRAWING								
SHEET METAL				STRUCTURAL STEEL				
ANGLES	.X	.XX	.XXX	STRAIGHTNESS PER 8FT	.X	.XX	.XXX	
	± 1.0°	± .13	± .06	± .06	— .18	± .18	± .06	± .06