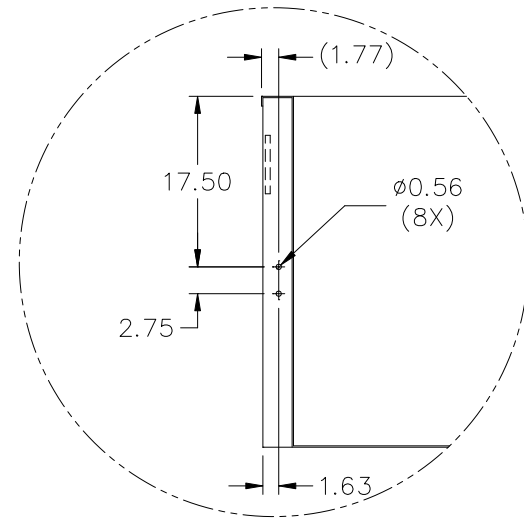
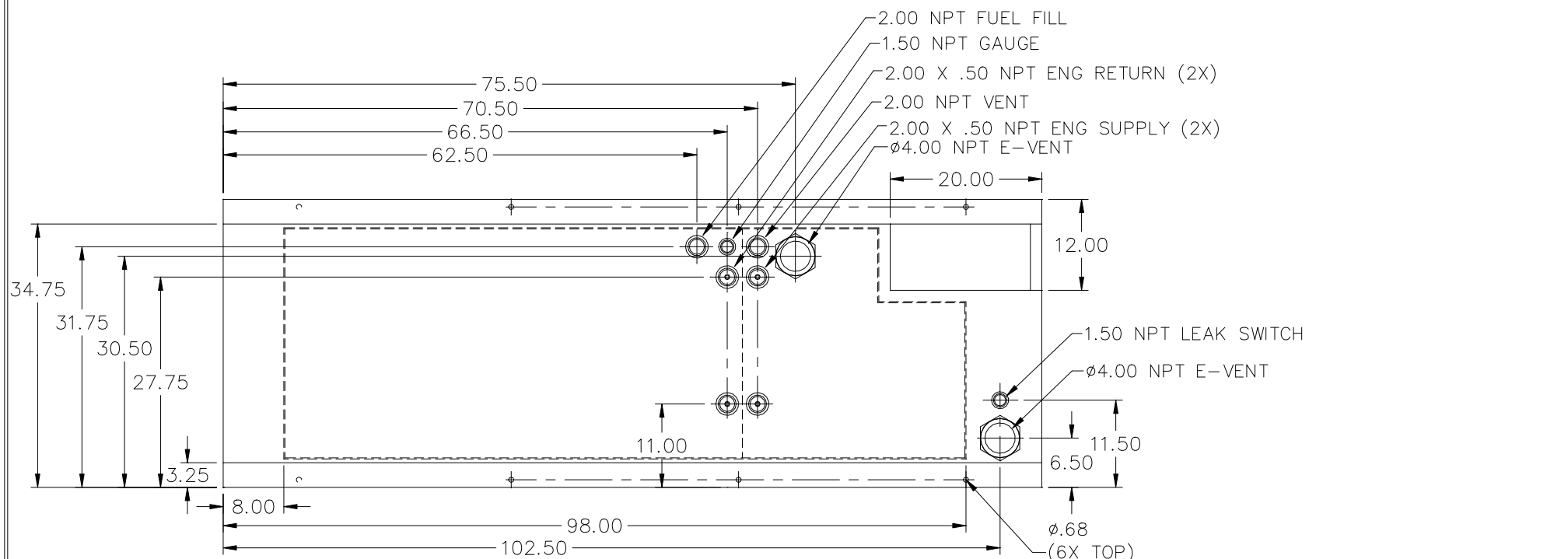
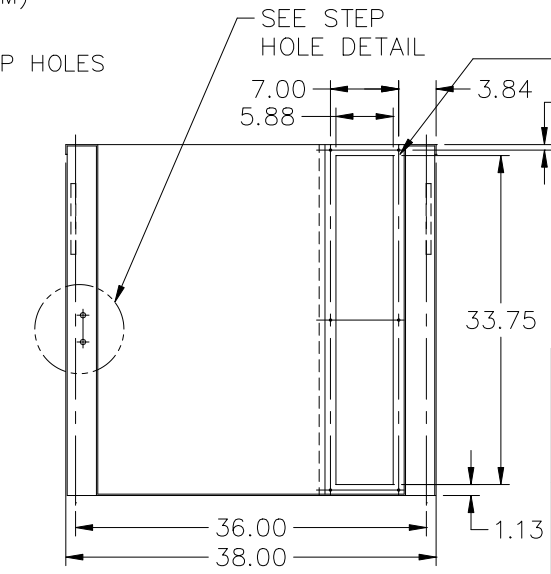
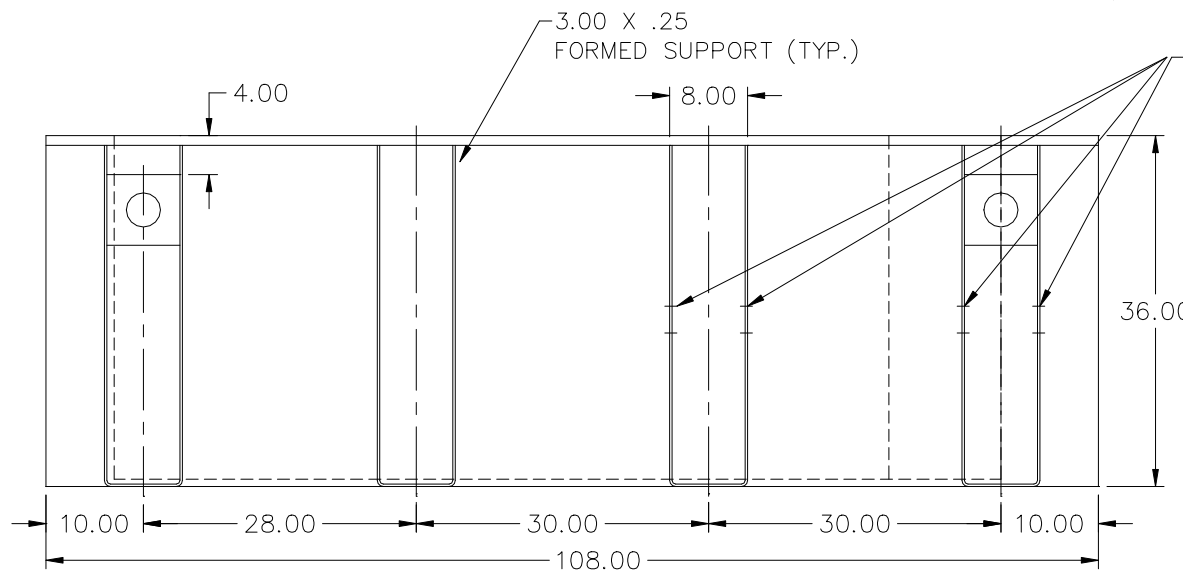


72HR TANK
JD40, JD50, JD60
PD30-01, PD50-01,
PD60-01
LVO/LV1/LV2/LV3



STEP HOLE DETAIL



APPROXIMATE WEIGHT: 1400 LBS

REVISIONS:

LEVEL:	DESCRIPTION:	DATE:	BY:
03	ADD ACCESS PANEL, INCREASE STUB-UP 10 TO 12	07-20-18	KAP
02	ADD FITTINGS FOR PD ENGINES	6-6-18	TDH
01	ADD STEP HOLES	02-04-16	KAP



TANK SB 360GL DW UL W/ STUB-UP

P/N: 19442	108"L X 38"W X 36"H	
DATE: 12-25-15	BY: KDH	DRAWN TO SCALE

- NOTES:
- MATERIAL: 10GA
 - SECONDARY CONTAINMENT TANK
 - FINISH: PAINT SEMI GLOSS BLACK
 - TANK TO INCLUDE
 - FUEL SUPPLY / RETURN DIP TUBES
 - LIFTING / TIE DOWN BRACKETS

UNLESS OTHERWISE SPECIFIED DIMENSIONS ARE IN INCHES - DO NOT SCALE DRAWING							
SHEET METAL				STRUCTURAL STEEL			
ANGLES	.X	.XX	.XXX	STRAIGHTNESS PER FT	.X	.XX	.XXX
	± 1.0°	± .13	± .06 ± .06	— .18	± .18	± .06	± .06