

BLUE STAR

Power Systems Inc.

Diesel Product Line

208-4160 Volt

PD750-01

60 Hz / 1800 RPM

750 kWe

Standby

Ratings

	208V	240V	480V	600V	4160V
Phase	3	3	3	3	3
PF	0.8	0.8	0.8	0.8	0.8
Hz	60	60	60	60	60
Generator Model	574RSL6437	574RSL6437	573RSL6435	574RSS4278	574FSM4358
Connection	12 LEAD WYE	12 LEAD DELTA	12 LEAD WYE	4 LEAD WYE	6 LEAD WYE
Standby					
kWe	750	750	750	750	750
AMPS	2605	2258	1129	903	130
Temp Rise	130°C / 27°C	130°C / 27°C	130°C / 27°C	130°C / 27°C	130°C / 27°C

Standard Equipment

Engine

- ▶ Radiator Cooled Unit Mounted (50°C)
- ▶ Blower Fan & Fan Drive
- ▶ Starter & Alternator
- ▶ Oil Pump & Filter
- ▶ Oil Drain Extension w/Valve
- ▶ Governor - Electronic Isochronous
- ▶ 24V Battery System & Cables
- ▶ Air Cleaner (Dry Single Stage)
- ▶ Flexible Fuel Connector
- ▶ EPA Certified Tier 2

Listing Certifications

- ▶ UL 2200 Listed*
- ▶ cUL Listed*
- ▶ CSA Certified*
- ▶ Seismic Certified to IBC 2018

*Through 600VAC

Generator

- ▶ Brushless Single Bearing
- ▶ Automatic Voltage Regulator
- ▶ ± .25% Voltage Regulation
- ▶ 4 Pole, Rotating Field
- ▶ 130°C Standby Temperature Rise
- ▶ 100% of Rated Load - One Step
- ▶ 5% Maximum Harmonic Content
- ▶ NEMA MG 1, IEEE and ANSI Standards Compliance for Temperature Rise

Additional

- ▶ Microprocessor Based Digital Control
- ▶ Interface Connection Box
- ▶ Control Panel Mounted in NEMA 12 Enclosure
- ▶ Base - Structural Steel
- ▶ Main Line Circuit Breaker Mounted & Wired*
- ▶ Critical Grade Silencer Mounted
- ▶ Battery Charger 24V 5 Amp
- ▶ Jacket Water Heater 5000W 240V w/Isolation Valves
- ▶ Vibration Isolation Mounts (Pad Type)
- ▶ Radiator Duct Flange (OPU Only)
- ▶ Single Source Supplier
- ▶ 2YR / 2000HR Standby Warranty
- ▶ Standard Colors - White / Gray

Application Data

Engine			
Manufacturer:	Perkins	Displacement - Cu. In. (lit):	1,159 (18.1)
Model:	2806C-E18TTAG7	Bore - in. (cm) x Stroke - in. (cm):	5.71 (14.5) x 7.20 (18.3)
Type:	4-Cycle	Compression Ratio:	14:1
Aspiration:	Turbo Charged, CAC	Rated RPM:	1800
Cylinder Arrangement:	6 Cylinder Inline	Max HP Stby (kWm):	1,101 (821)

Exhaust System	Standby
Gas Temp. (Stack): °F (°C)	918 (492)
Gas Volume at Stack Temp: CFM (m³/min)	5,866 (166)
Maximum Allowable Exhaust Restriction: in. H ₂ O (kPa)	40.0 (10.0)

Cooling System	
Ambient Capacity of Radiator: °F (°C)	122 (50.0)
Maximum Allowable Static Pressure on Rad. Exhaust: in. H ₂ O (kPa)	0.50 (0.12)
Jacket Water Pump Flow Rate: GPM (lit/min)	128 (485)
Heat Rejection to Coolant: BTUM (kW)	13,086 (229)
Heat Rejection to CAC: BTUM (kW)	16,229 (284)
Heat Radiated to Ambient: BTUM (kW)	5,230 (91.5)

Air Requirements	
Aspirating: CFM (m³/min)	2,509 (71.0)
Air Flow Required for Rad. Cooled Unit: CFM (m³/min)	31,767 (899)
Air Flow Required for Heat Exchanger/Rem. Rad. CFM (m³/min)	Consult Factory For Remote Cooled Applications

Fuel Consumption	
At 100% of Power Rating: gal/hr (lit/hr)	54.2 (205)
At 75% of Power Rating: gal/hr (lit/hr)	39.1 (148)
At 50% of Power Rating: gal/hr (lit/hr)	27.4 (104)

Fluids Capacity	
Total Oil System: gal (lit)	18.0 (68.0)
Engine Jacket Water Capacity w/Intercooler: gal (lit)	5.49 (20.8)
System Coolant Capacity: gal (lit)	29.1 (110)

Deration Factors

Rated power available up to 1640 ft (500 m) at ambient temperatures to 86°F (30°C). Consult factory for site conditions above these parameters.

DGC-2020 Control Panel

Standard Features

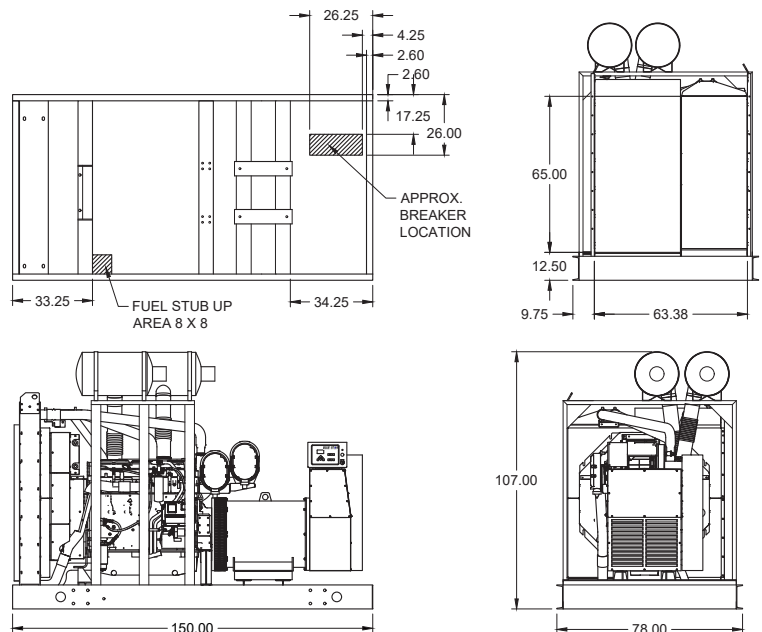
- ▶ Digital Metering
- ▶ Engine Parameters
- ▶ Generator Protection Functions
- ▶ Engine Protection
- ▶ CAN Bus ECU Communications
- ▶ Windows-Based Software
- ▶ Multilingual Capability
- ▶ Remote Communications to RDP-110 Remote Annunciator
- ▶ 16 Programmable Contact Inputs
- ▶ 15 Contact Outputs
- ▶ UL Recognized, CSA Certified, CE Approved
- ▶ Event Recording
- ▶ IP 54 Front Panel Rating with Integrated Gasket
- ▶ NFPA 110 Compatible



Weights / Dimensions / Sound Data

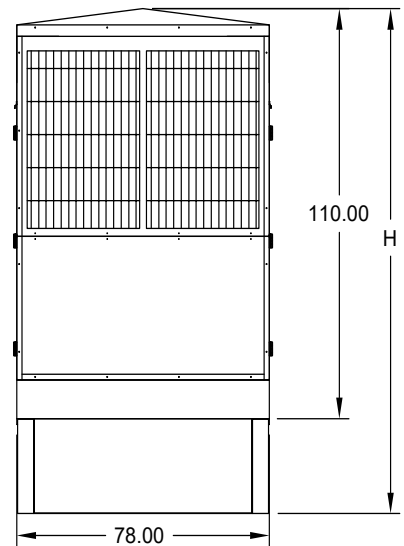
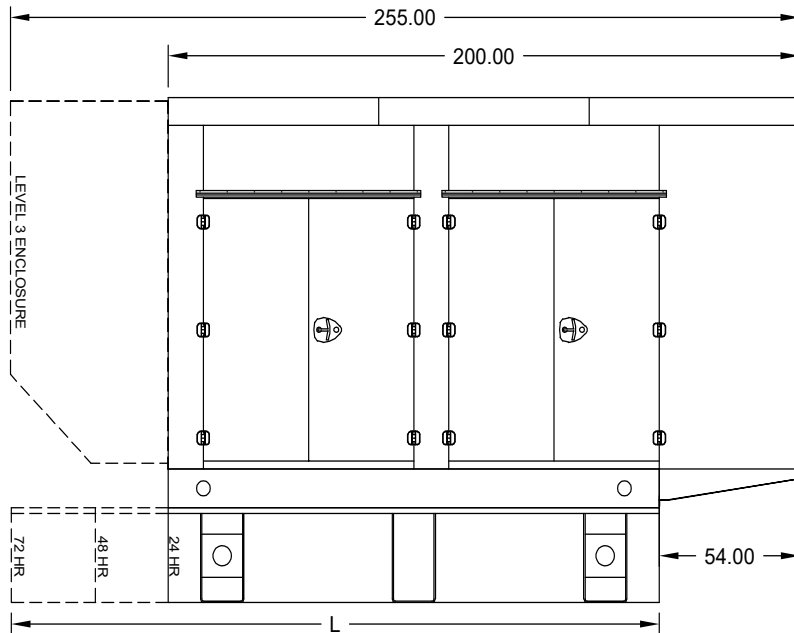
	L x W x H	Weight lbs
OPU	150 x 78 x 107 in	11,375
Level 1	200 x 78 x 110 in	13,200
Level 2	200 x 78 x 110 in	13,275
Level 3	255 x 78 x 110 in	13,775

	No Load	Full Load
OPU	93 dBA	95 dBA
Level 1	88 dBA	91 dBA
Level 2	83 dBA	85 dBA
Level 3	75 dBA	77 dBA



Drawings based on standard open power 480 volt standby generator. Lengths may vary with other voltages. Subject to change without notice. Sound data as measured at 23 feet (7 meters) in accordance with ISO 8528-10 at standby rating.

Enclosures & Fuel Tanks



All enclosure models are 200 MPH wind rating certified in accordance with IBC2018 and ASCE/SEI 7-16 standards.

Level 2 & 3 enclosures include sound attenuation foam.

Level 3 enclosure includes frontal sound & exhaust hood.

*Enclosure height does not include exhaust stack.

	24 Hour 1300 Gallon	48 Hour 2600 Gallon	72 Hour 4000 Gallon
L	150.00	300.00	420.00
H	146.00	146.00	146.00

All specification sheet dimensions are represented in inches.

All enclosures and fuel tanks are based on the standard standby unit configuration. Any deviation can change dimensions.

Materials and specifications subject to change without notice.

American Owned



American Made

Distributed By:

Blue Star Power Systems, Inc.

2250 Carlson Drive

North Mankato, Minnesota 56003

Phone + 1 507 345 1776

bluestarps.com

quote.bluestarps.com

sales@bluestarps.com