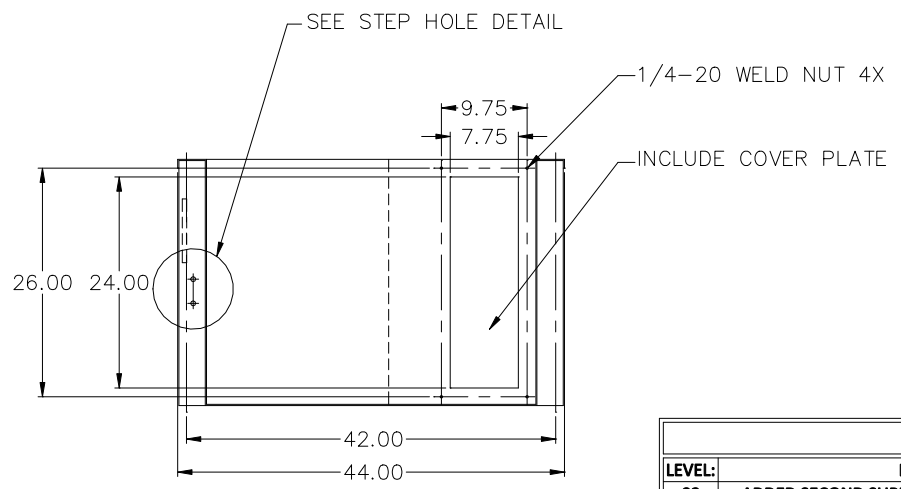
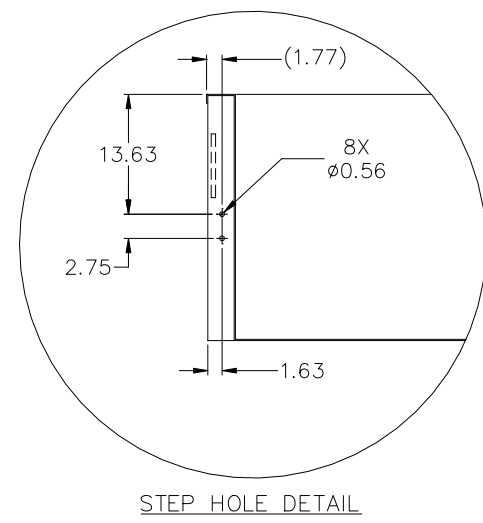
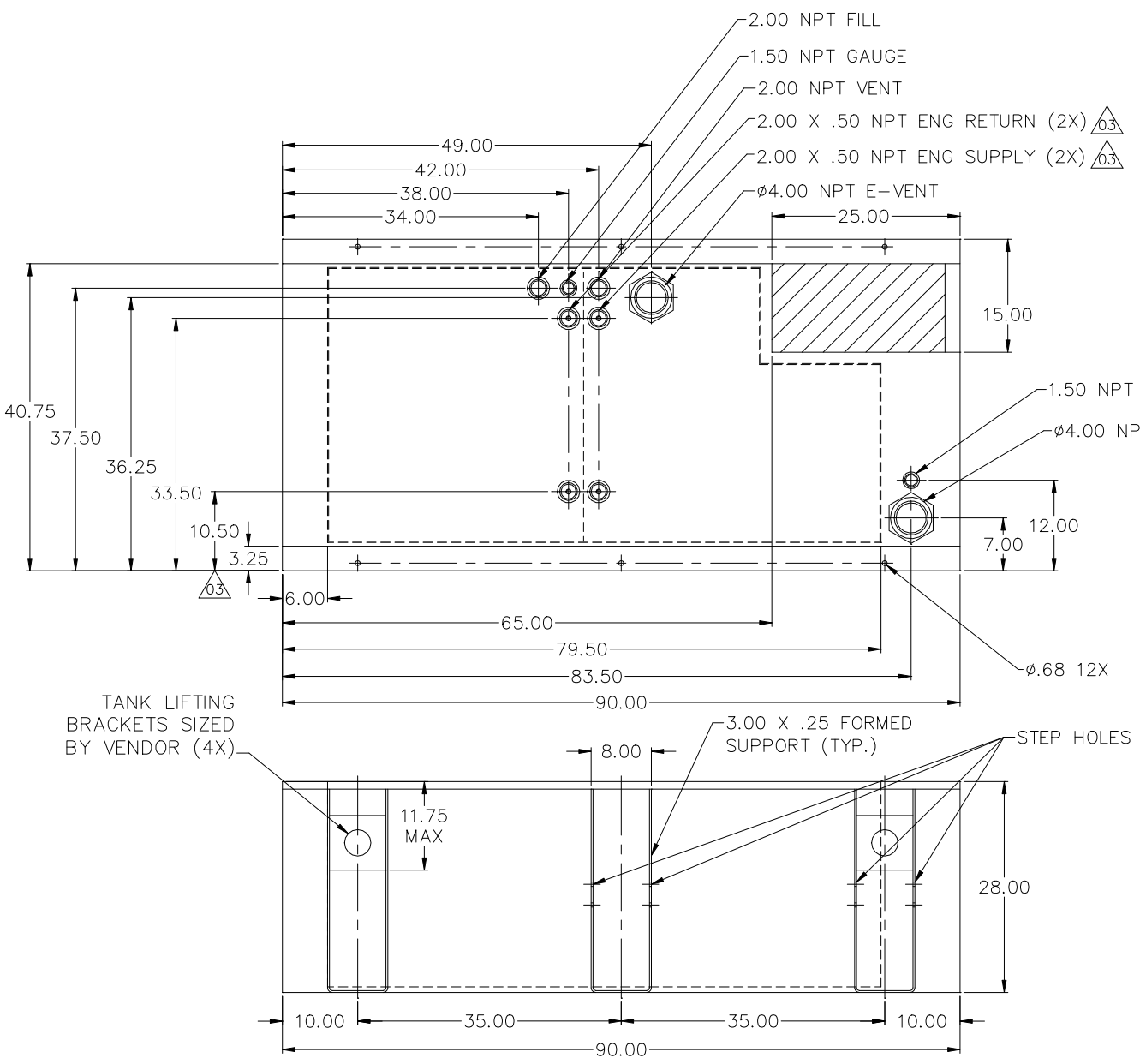


**24HR TANK  
VD100  
JD80, JD100, JD125  
PD80, PD100  
LV0/LV1/LV2/LV3**



- NOTES:  
 1. MATERIAL: 10GA  
 2. SECONDARY CONTAINMENT TANK  
 3. FINISH: POWDER COAT BLACK-HAMMERED  
 4. TANK TO INCLUDE  
 - FUEL SUPPLY / RETURN DIP TUBES  
 - LIFTING / TIE DOWN BRACKETS

APPROXIMATE WEIGHT: 1200 LBS

REVISIONS:			
LEVEL:	DESCRIPTION:	DATE:	BY:
03	ADDED SECOND SUPPLY AND RETURN FOR PD ENGINES	6-5-18	TDH
02	CHANGE FINISH TO POWDER BLACK-HAMMERED	01-22-16	KAP
01	MOVED VENTS AND FILLS FOR OIL DRAIN	01-08-16	KDH



<b>TANK SB 250GL DW UL W/STUB-UP</b>			
P/N: 17961	90"L X 44"W X 28"H		
DATE: 11-20-15	BY: TDH	DRAWN TO SCALE	