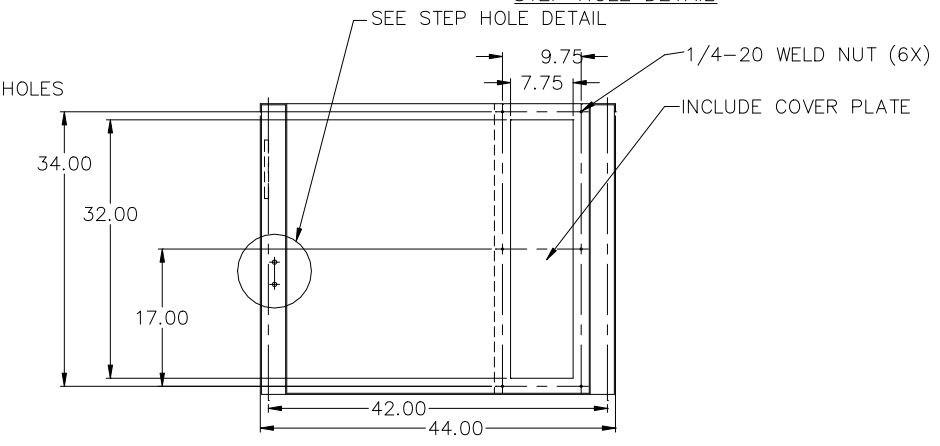
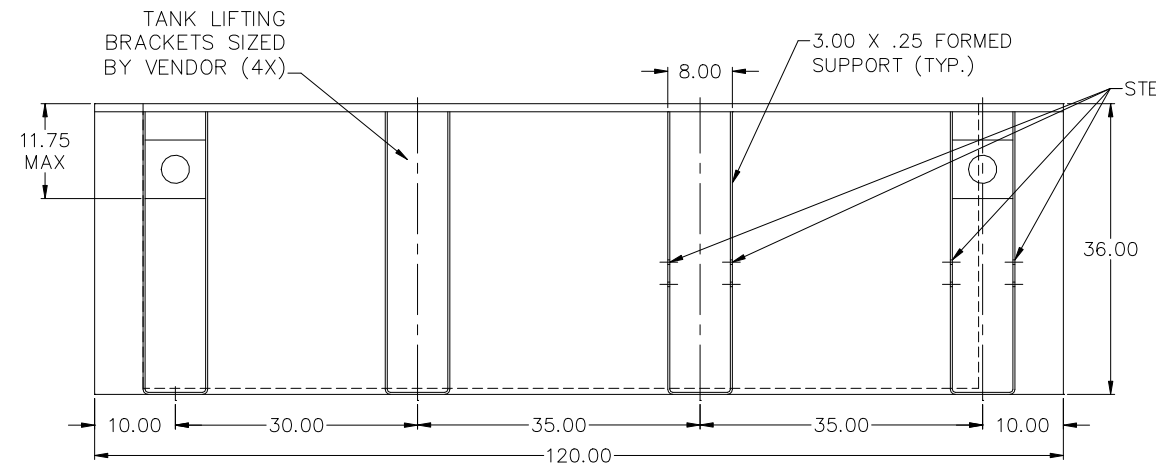
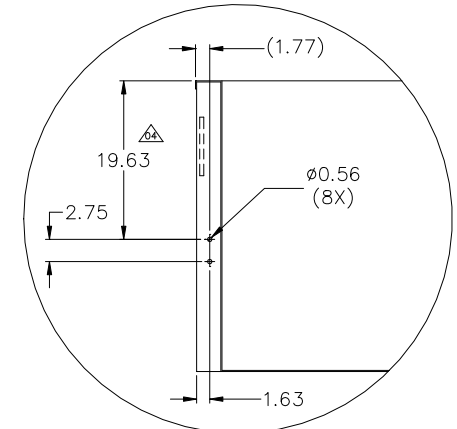
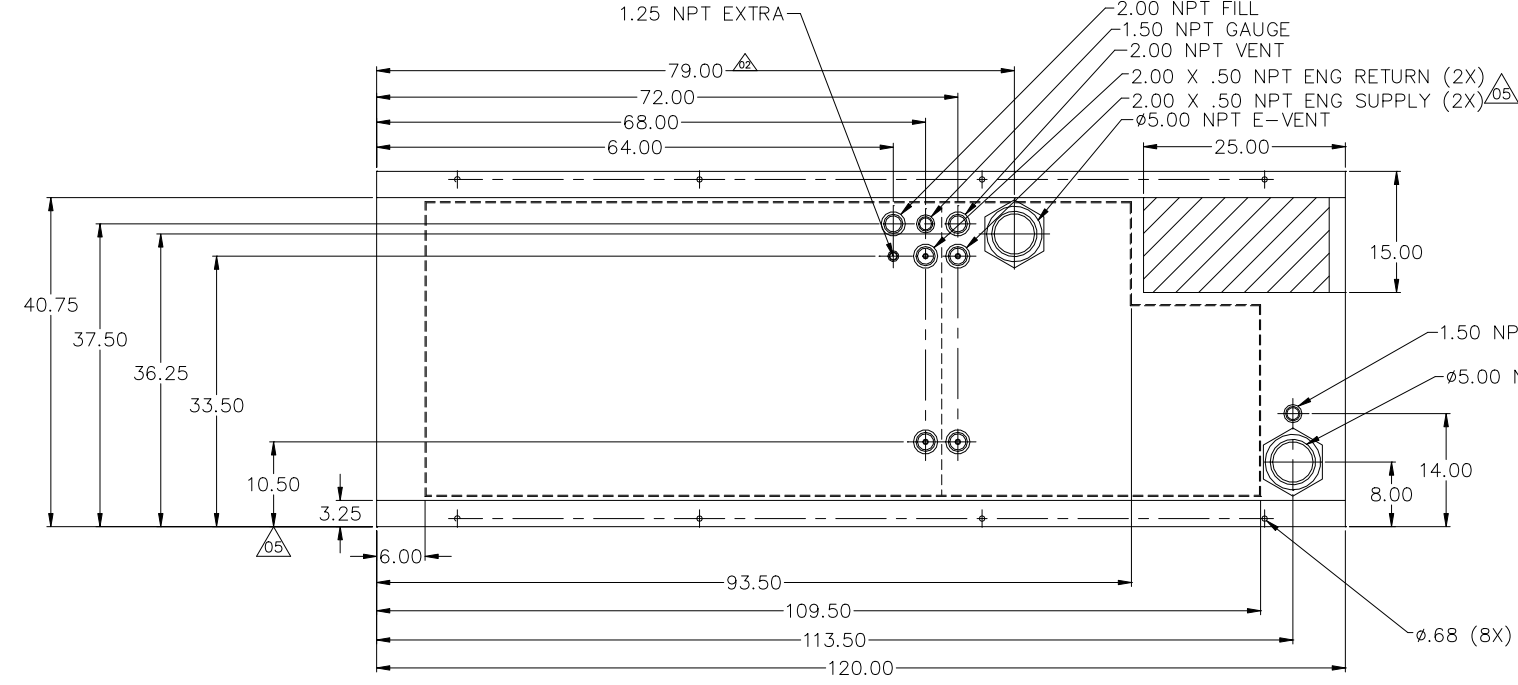


**48HR TANK
VD100
JD80, JD100, JD125
PD80, PD100**



REVISIONS:			
LEVEL:	DESCRIPTION:	DATE:	BY:
04	ADDED FITTING FOR PERKINS	6-6-18	TDH
05	LOWER STEP HOLES 2.00"	07-21-17	KAP
03	CHANGED EVENT SIZE TO 5"	2-14-17	TDH
02	MOVED 77 TO 79 (E-VENT)	09-26-16	KAP
01	MOVED VENTS AND FILLS FOR OIL DRAIN	01-08-16	KDH



TANK SB 500GL DW UL W/STUB-UP

P/N: 17971 | 120"L X 44"W X 36"H

DATE: 12-03-15 | BY: TDH | DRAWN TO SCALE

- NOTES:
1. MATERIAL: 10GA
 2. SECONDARY CONTAINMENT TANK
 3. FINISH PAINT SEMI GLOSS BLACK
 4. TANK TO INCLUDE
 - FUEL SUPPLY / RETURN DIP TUBES
 - LIFTING / TIE DOWN BRACKETS

APPROXIMATE WEIGHT: 2000LBS