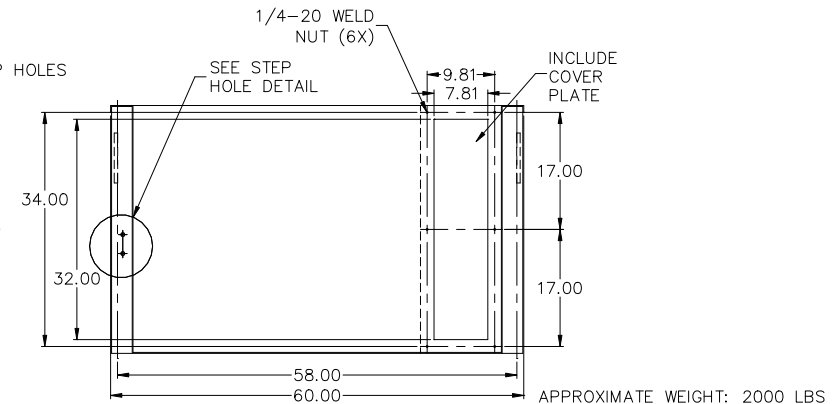
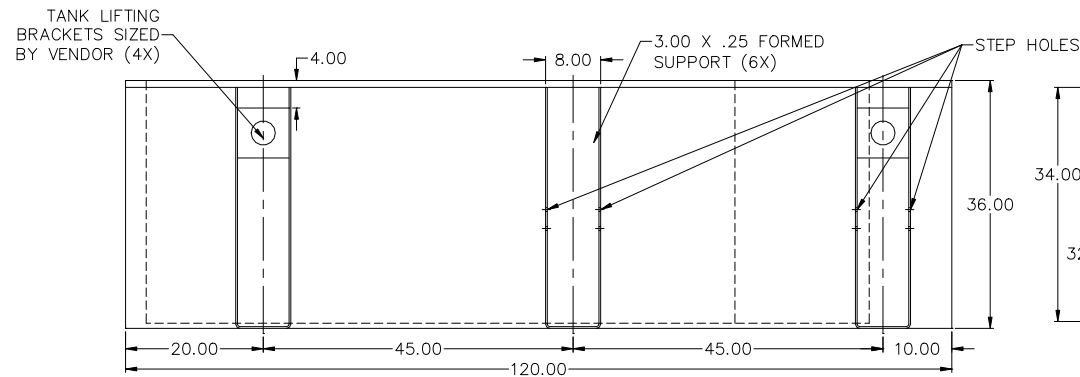
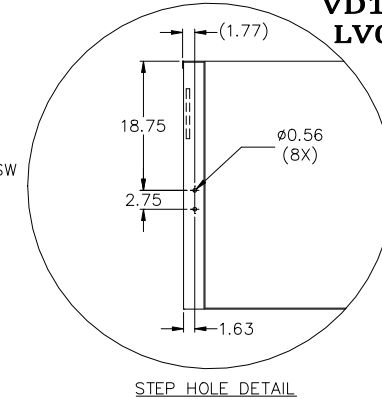
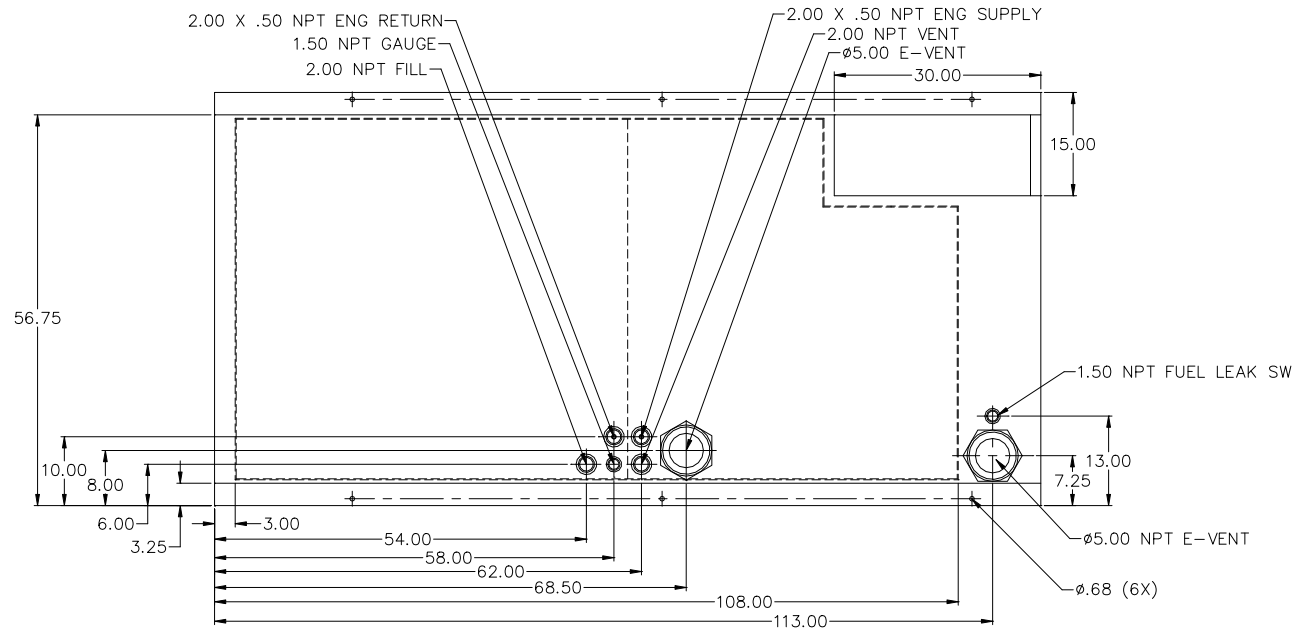


DRAWING:

3-0431

**48HR TANK**  
**VD150 (FT4)**  
**LV0/LV1/LV2/LV3**

**72HR TANK**  
**VD100, VD125 (FT4)**  
**LV0/LV1/LV2/LV3**



## NOTES:

1. MATERIAL: 10GA
2. SECONDARY CONTAINMENT TANK
3. FINISH PAINT GLOSS BLACK
4. TANK TO INCLUDE
  - FUEL SUPPLY / RETURN DIP TUBES
  - LIFTING / TIE DOWN BRACKETS

**BLUE STAR**  
 Power Systems Inc.

**TANK SB 750GL DW UL W/STUB-UP**

P/N: NA 120"L X 60"W X 36"H

DATE: 12-21-15

BY: KDH

DRAWN TO SCALE