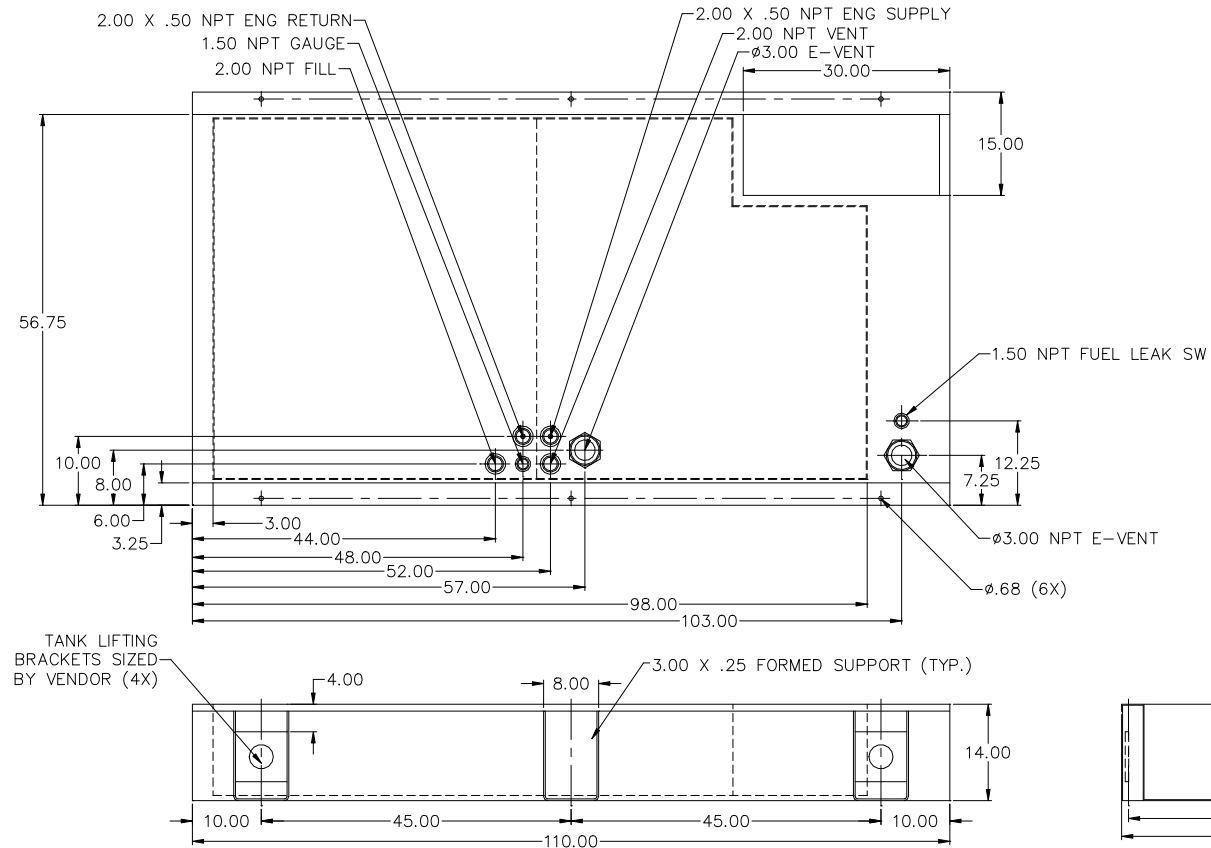


**24HR TANK  
VD100, VD125 (FT4)  
LV0/LV1/LV2/LV3**



APPROXIMATE WEIGHT: 1100 LBS

## NOTES:

1. MATERIAL: 10GA
2. SECONDARY CONTAINMENT TANK
3. FINISH PAINT GLOSS BLACK
4. TANK TO INCLUDE
  - FUEL SUPPLY / RETURN DIP TUBES
  - LIFTING / TIE DOWN BRACKETS

**BLUE STAR**  
Power Systems Inc.

TANK SB 250GL DW UL W/STUB-UP

P/N: NA 110"L X 60"W X 14"H

DATE: 12-21-15

BY: KDH

DRAWN TO SCALE