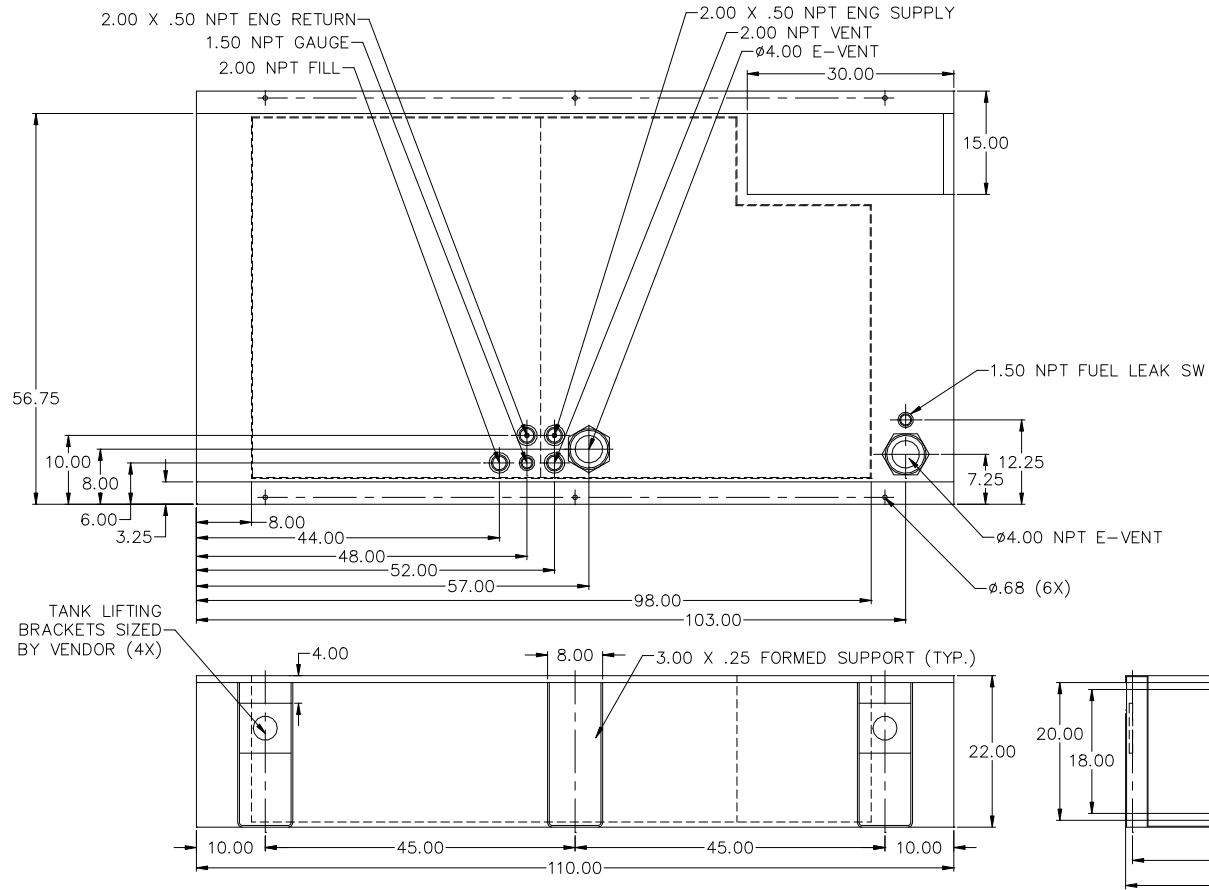


**24HR TANK
VD150 (FT4)
LV0/LV1/LV2/LV3**



APPROXIMATE WEIGHT: 1400 LBS

NOTES:

1. MATERIAL: 10GA
2. SECONDARY CONTAINMENT TANK
3. FINISH PAINT GLOSS BLACK
4. TANK TO INCLUDE
 - FUEL SUPPLY / RETURN DIP TUBES
 - LIFTING / TIE DOWN BRACKETS

BLUE STAR
Power Systems Inc.

TANK SB 375GL DW UL W/STUB-UP

P/N: NA 110"L X 60"W X 22"H

DATE: 12-21-15

BY: KDH

DRAWN TO SCALE