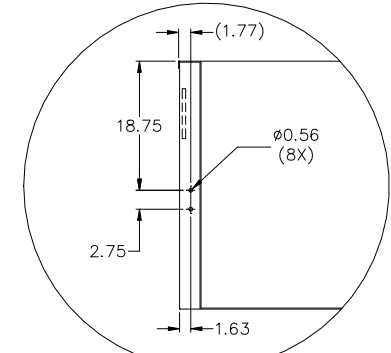
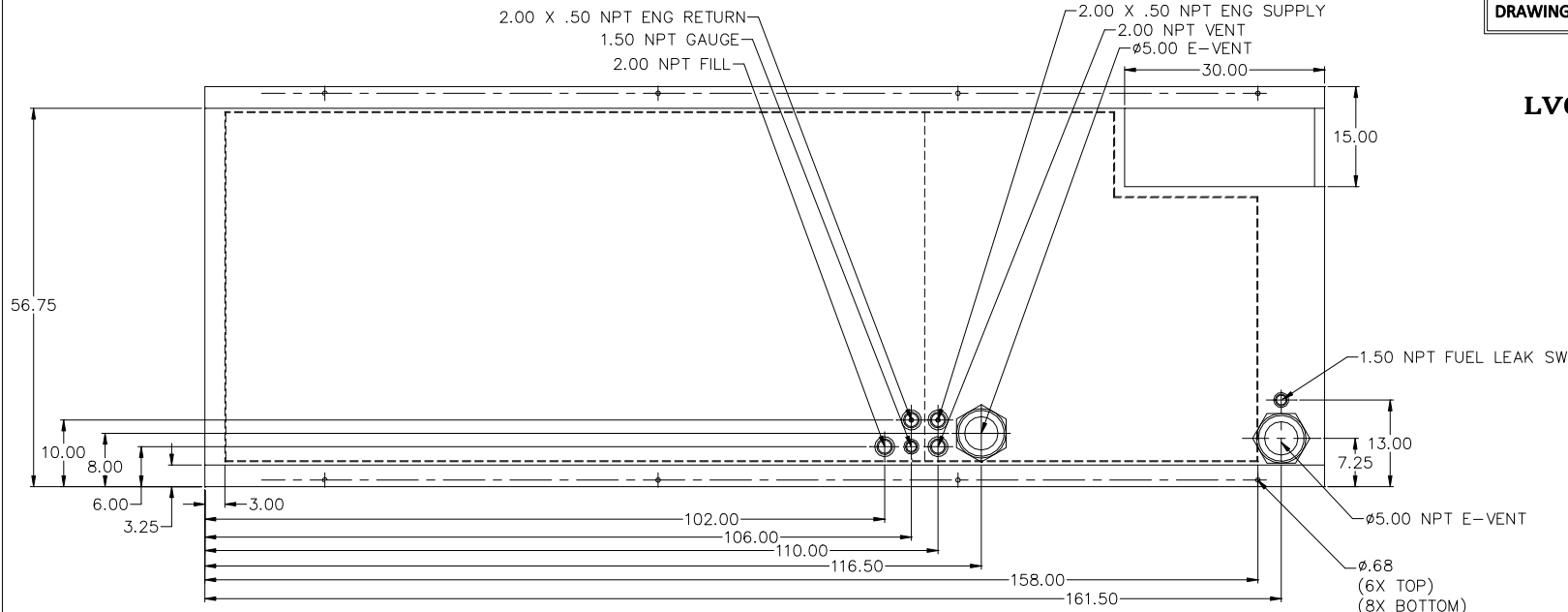
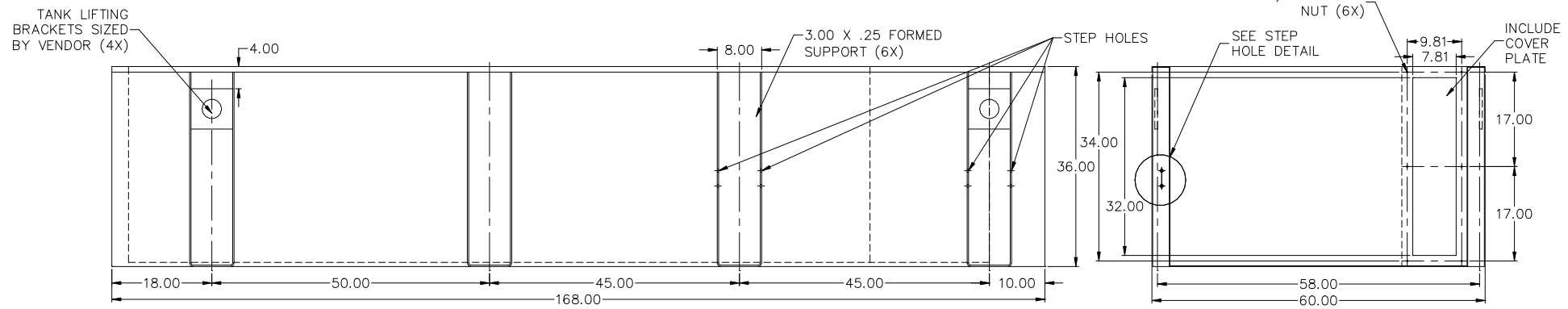


**72HR TANK  
VD150 (FT4)  
LV0/LV1/LV2/LV3**



STEP HOLE DETAIL



- NOTES:
1. MATERIAL: 10GA
  2. SECONDARY CONTAINMENT TANK
  3. FINISH PAINT GLOSS BLACK
  4. TANK TO INCLUDE
    - FUEL SUPPLY / RETURN DIP TUBES
    - LIFTING / TIE DOWN BRACKETS

APPROXIMATE WEIGHT: 2600 LBS



<b>TANK SB 1125GL DW UL W/STUB-UP</b>	
P/N: NA	168"L X 60"W X 36"H
DATE: 12-22-15	BY: KDH DRAWN TO SCALE