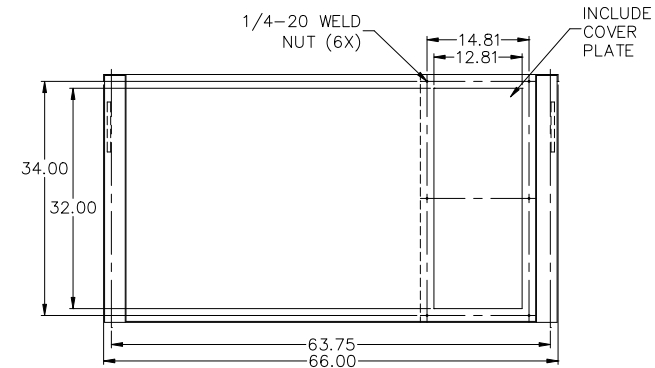
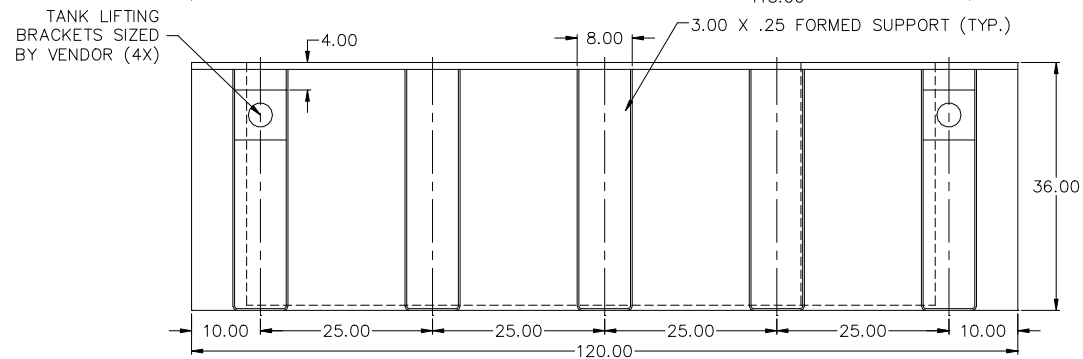
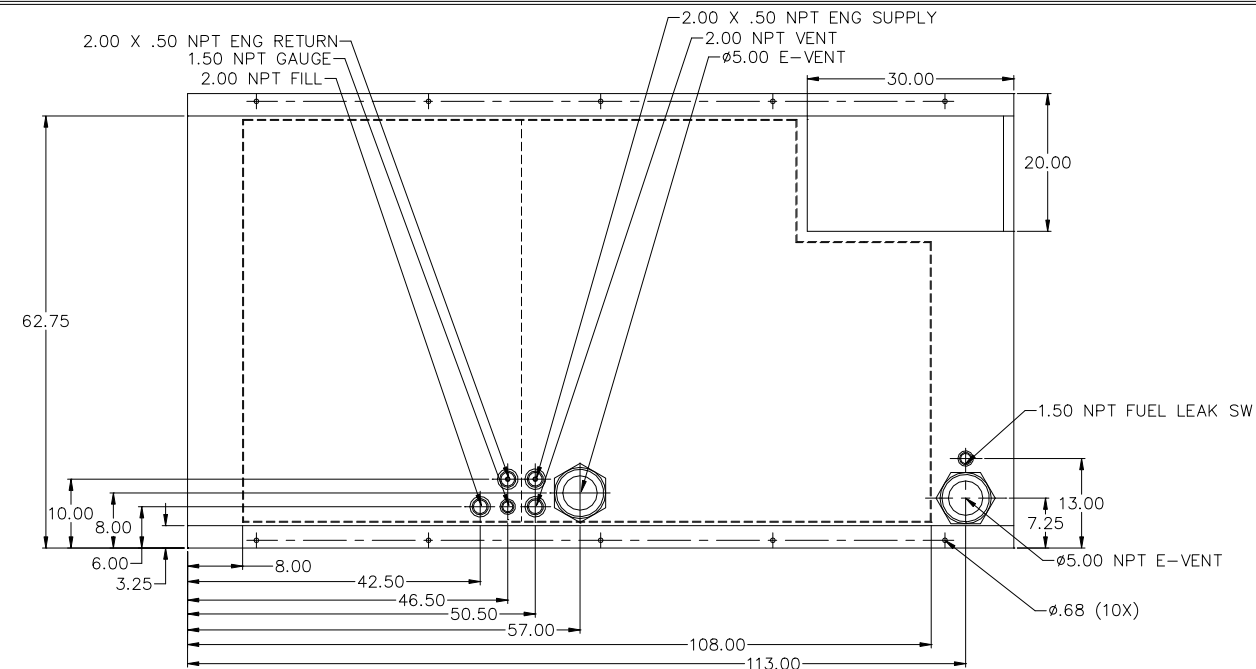


**48HR TANK  
VD200 (FT4)  
LV0/LV1/LV2/LV3**



## NOTES:

1. MATERIAL: 10GA
2. SECONDARY CONTAINMENT TANK
3. FINISH PAINT GLOSS BLACK
4. TANK TO INCLUDE
  - FUEL SUPPLY / RETURN DIP TUBES
  - LIFTING / TIE DOWN BRACKETS

APPROXIMATE WEIGHT: 2100 LBS

**BLUE STAR**  
Power Systems Inc.

TANK SB 750GL DW UL W/STUB-UP

P/N: NA 120"L X 66"W X 36"H

DATE: 12-22-15

BY: KDH

DRAWN TO SCALE