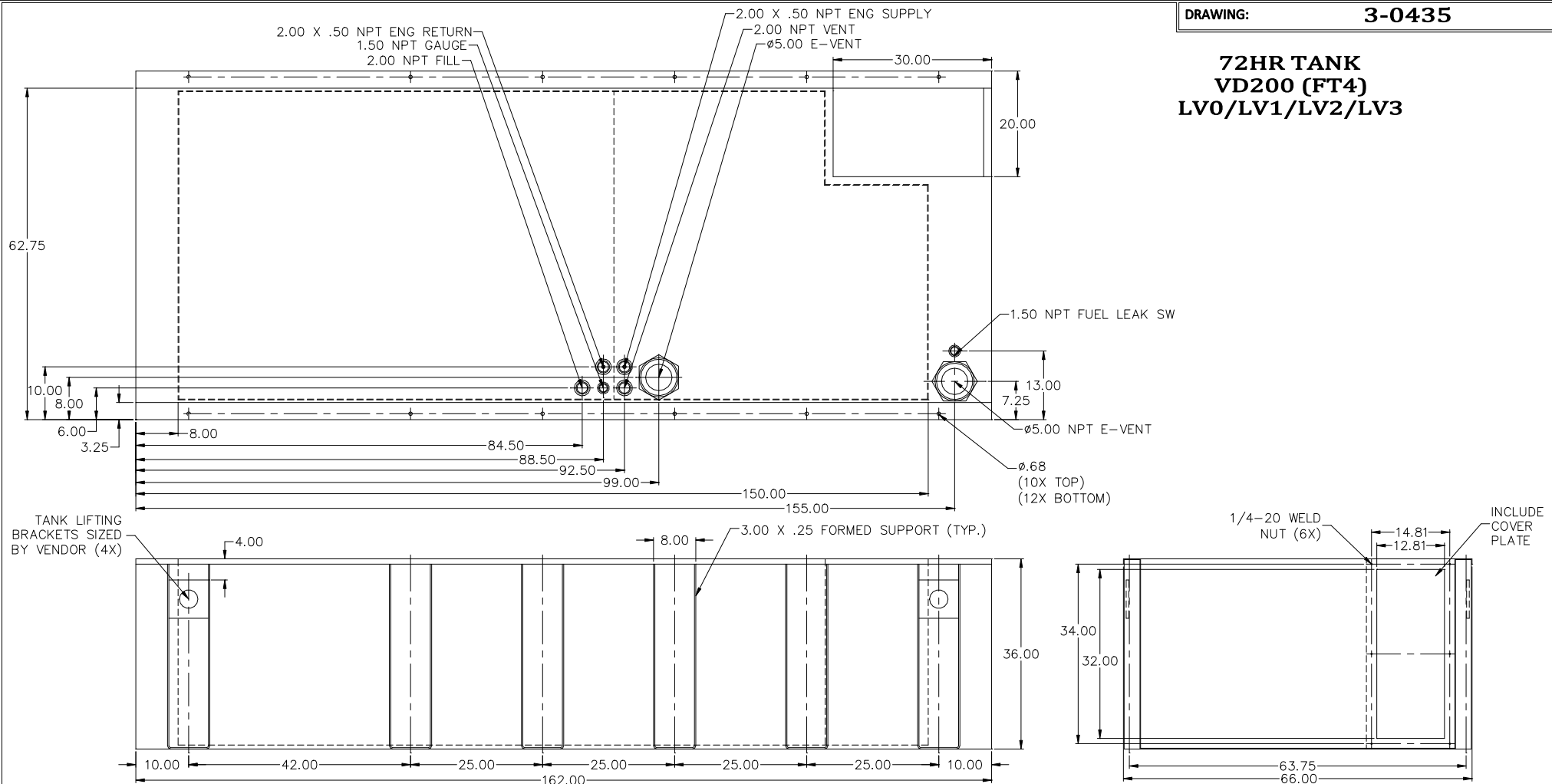


**72HR TANK
VD200 (FT4)
LV0/LV1/LV2/LV3**



NOTES:

1. MATERIAL: 10GA
2. SECONDARY CONTAINMENT TANK
3. FINISH PAINT GLOSS BLACK
4. TANK TO INCLUDE
 - FUEL SUPPLY / RETURN DIP TUBES
 - LIFTING / TIE DOWN BRACKETS

APPROXIMATE WEIGHT: 2700 LBS

BLUE STAR
Power Systems Inc.

TANK SB 1125GL DW UL W/STUB-UP

P/N: NA 162"L X 66"W X 36"H

DATE: 12-22-15

BY: KDH

DRAWN TO SCALE