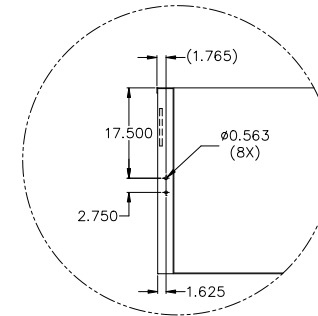
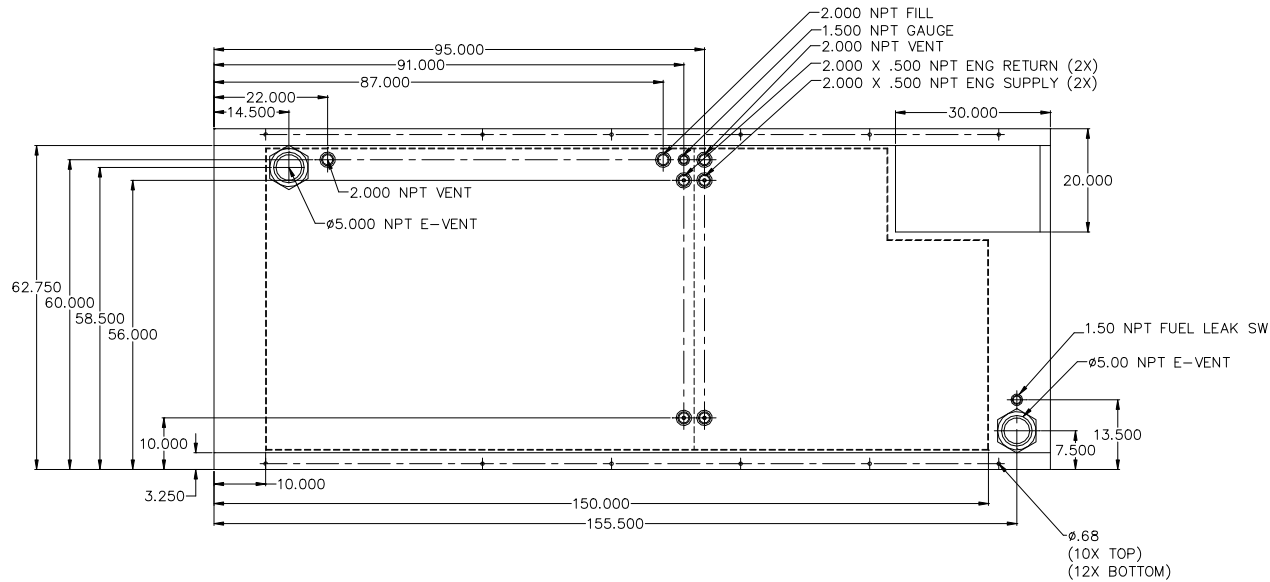
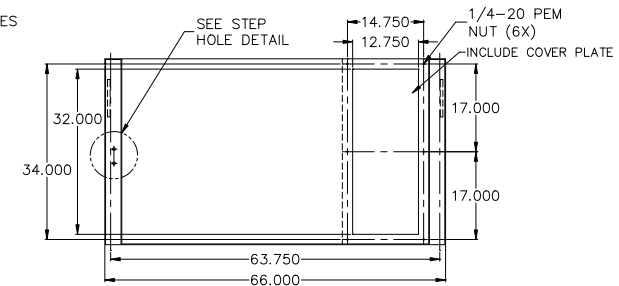
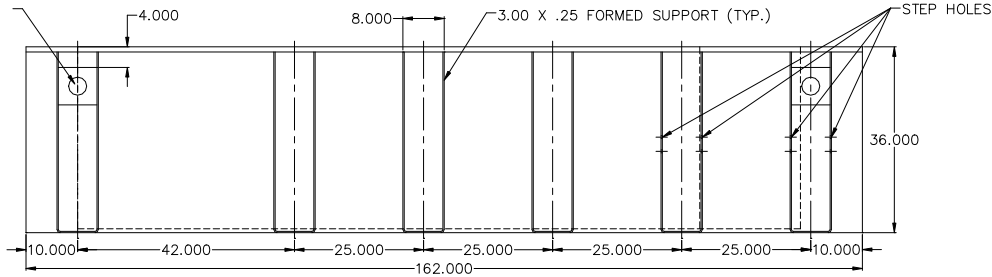


**48HR TANK**  
**JD250, JD275, JD300**  
**VD250, VD300 (FT4 & 01)**  
**TD250, TD275, TD300**  
**LV0/LV1/LV2/LV3**



STEP HOLE DETAIL

TANK LIFTING  
 BRACKETS SIZED  
 BY VENDOR (4X)



APPROXIMATE WEIGHT: 2700 LBS

## REVISIONS:

LEVEL:	DESCRIPTION:	DATE:	BY:
NA	NA	NA	NA

**BLUE STAR**  
 Power Systems Inc.

TANK SB 1080GL DW UL W/STUB-UP

P/N: NA 162"L X 66"W X 36"H

DATE: 12-17-15 BY: KDH DRAWN TO SCALE

## NOTES:

1. MATERIAL: 10GA
2. SECONDARY CONTAINMENT TANK
3. FINISH PAINT GLOSS BLACK