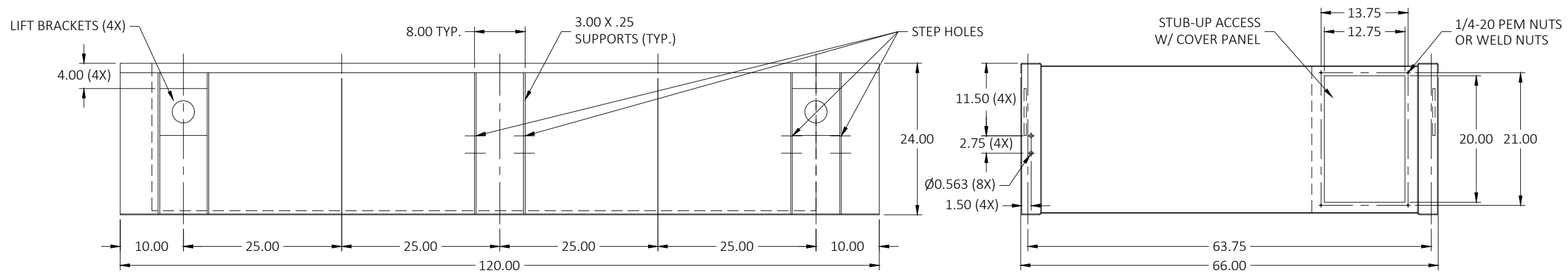
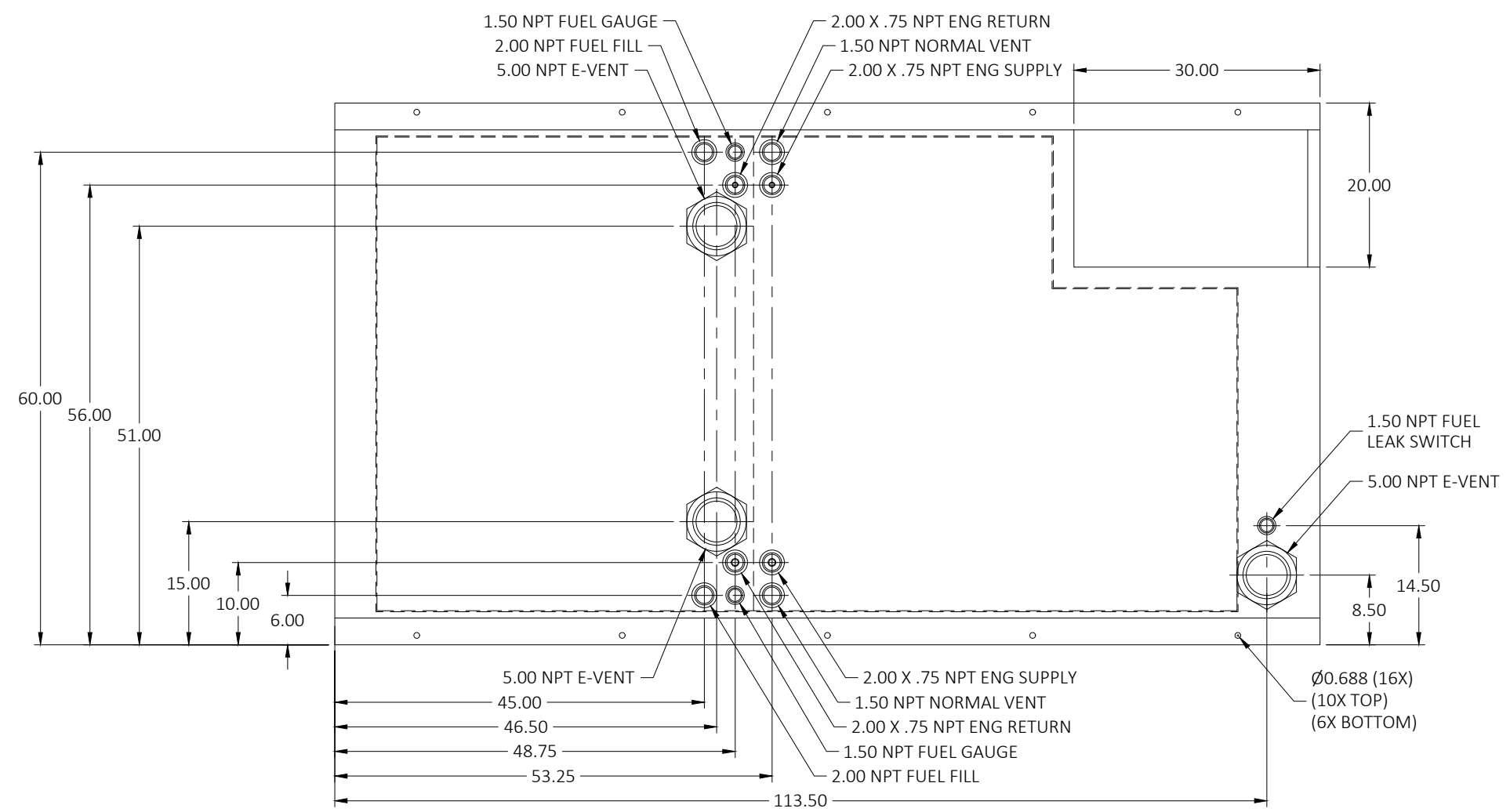



DRAWING: **19153**

24HR / 540GL FUEL TANK
 JD250-02, JD275-02, JD300-02
 PD250-01, PD300-01
 VD230-01, VD250-01, VD250-03,
 VD275-01, VD300-01
 VD250-02FT4, VD300-02FT4
 LV0 / LV1 / LV2 / LV3



- NOTES:
- MATERIAL: PER UL/ULC REQUIREMENTS
 - SECONDARY CONTAINMENT TANK
 - TANK TO INCLUDE:
 - FUEL SUPPLY/RETURN DIP TUBES
 - LIFTING/TIE-DOWN BRACKETS

MATERIAL: **SEE NOTES** FINISH: **BLACK HAMMERED**

R13	MOVED FITTING CLUSTER & E-VENTS	08-23-22	CRC
LEVEL:	DESCRIPTION:	DATE:	BY:
REVISIONS:			
<small>THE INFORMATION CONTAINED IN THIS DRAWING IS THE SOLE PROPERTY OF BLUE STAR POWER SYSTEMS, INC. ANY REPRODUCTION, IN PART OR AS A WHOLE, WITHOUT THE WRITTEN PERMISSION IS PROHIBITED.</small>			
 BLUE STAR Power Systems Inc. <small>2250 CARLSON DRIVE, NORTH MANKATO, MINNESOTA 56003 1 507 345 1776</small>			
TANK SB 540GL DW SC UL/ULC W/ STUB-UP			
<small>REMOVE ALL BURRS AND SHARP EDGES</small> <small>TOLERANCE UNLESS OTHER SPECIFIED:</small> <small>FRACTIONAL: ± 1/32</small> <small>ANGULAR: ± 1°</small> <small>X.X = ± .1</small> <small>X.XX = ± .03</small> <small>X.XXX = ± .010</small>	<small>DO NOT SCALE DRAWING</small> <small>APPROVED:</small> CRC <small>DATE:</small> 12-07-22	<small>SCALE:</small> NONE <small>APPROX. WEIGHT:</small> 1,850 LBS	<small>SIZE:</small> B <small>PART NUMBER:</small> 19153 <small>SHEET 1 OF 1</small>