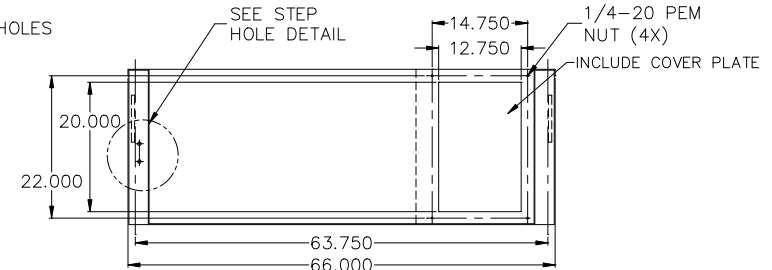
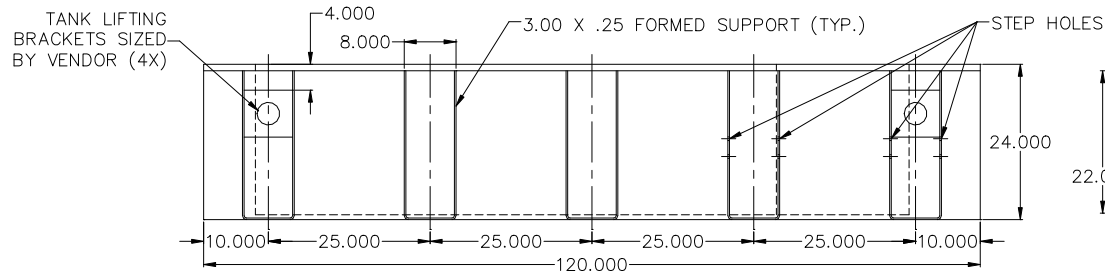
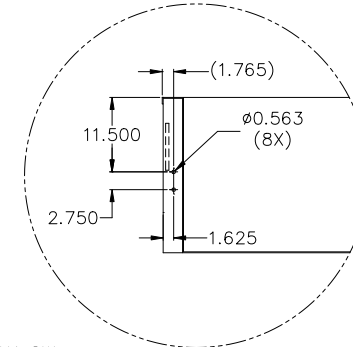
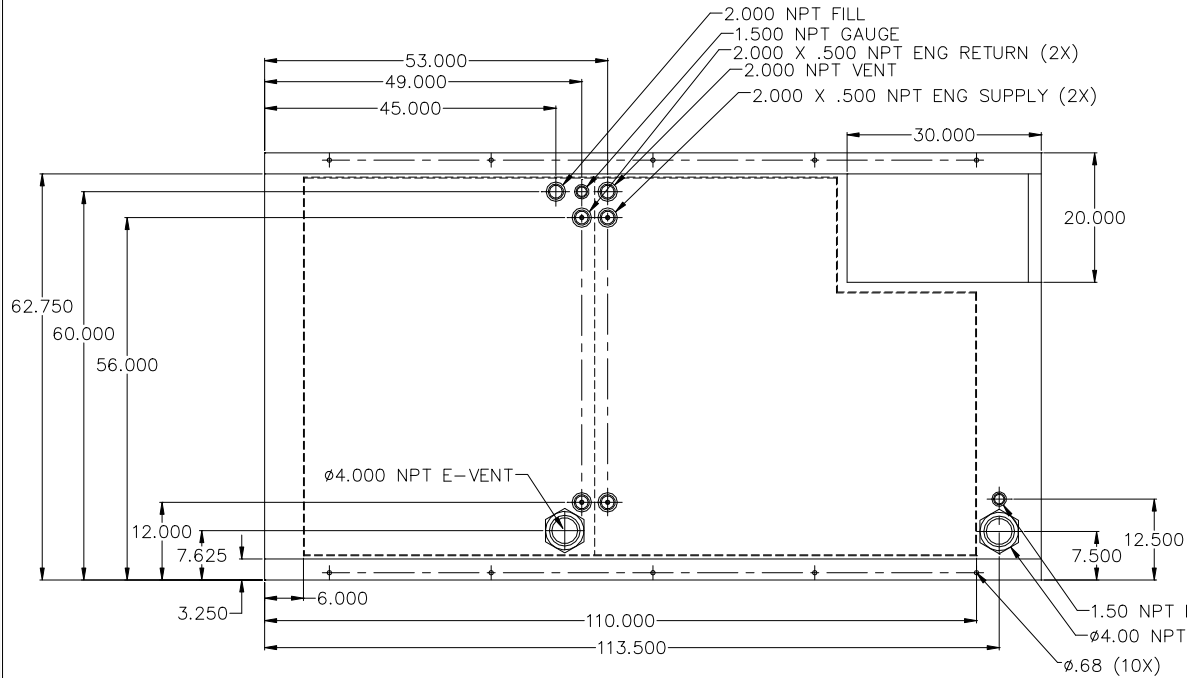


24HR TANK
JD250, JD275, JD300
VD250, VD300 (02FT4 & 01)
TD250, TD275, TD300
LV0/LV1/LV2/LV3



NOTES:

1. MATERIAL: 10GA
2. SECONDARY CONTAINMENT TANK
3. FINISH PAINT GLOSS BLACK

APPROXIMATE WEIGHT: 1700 LBS

REVISIONS:

LEVEL:	DESCRIPTION:	DATE:	BY:
NA	NA	NA	NA

BLUE STAR
Power Systems Inc.

TANK SB 540GL DW UL W/STUB-UP

P/N: NA 120"L X 66"W X 24"H

DATE: 12-16-15 BY: KDH DRAWN TO SCALE