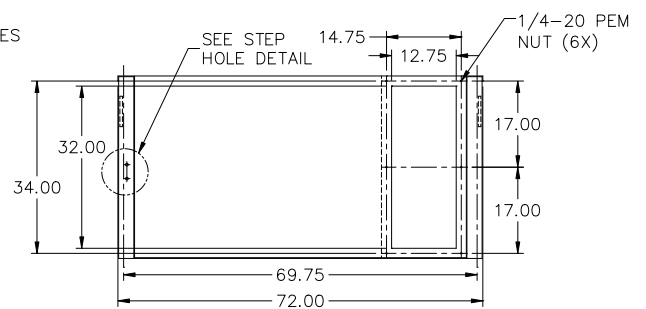
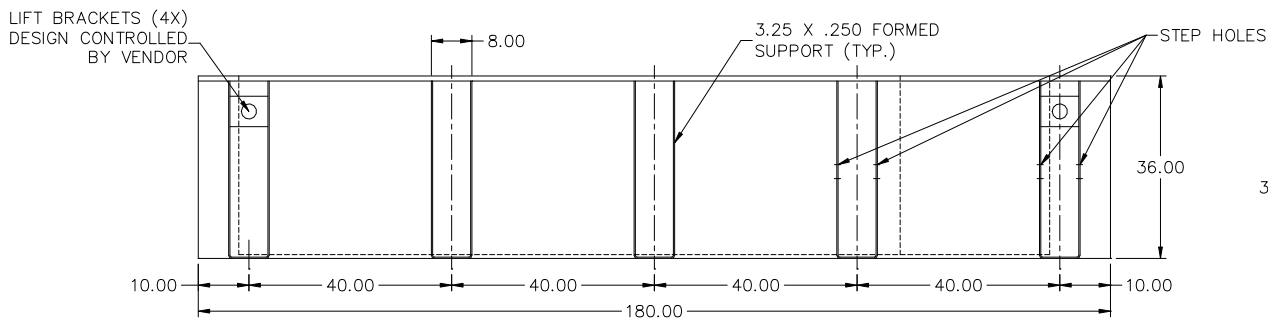
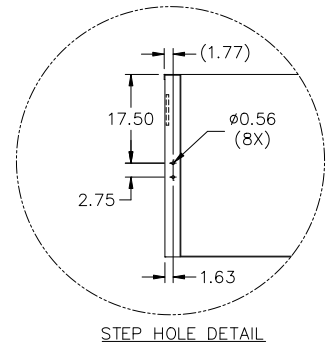
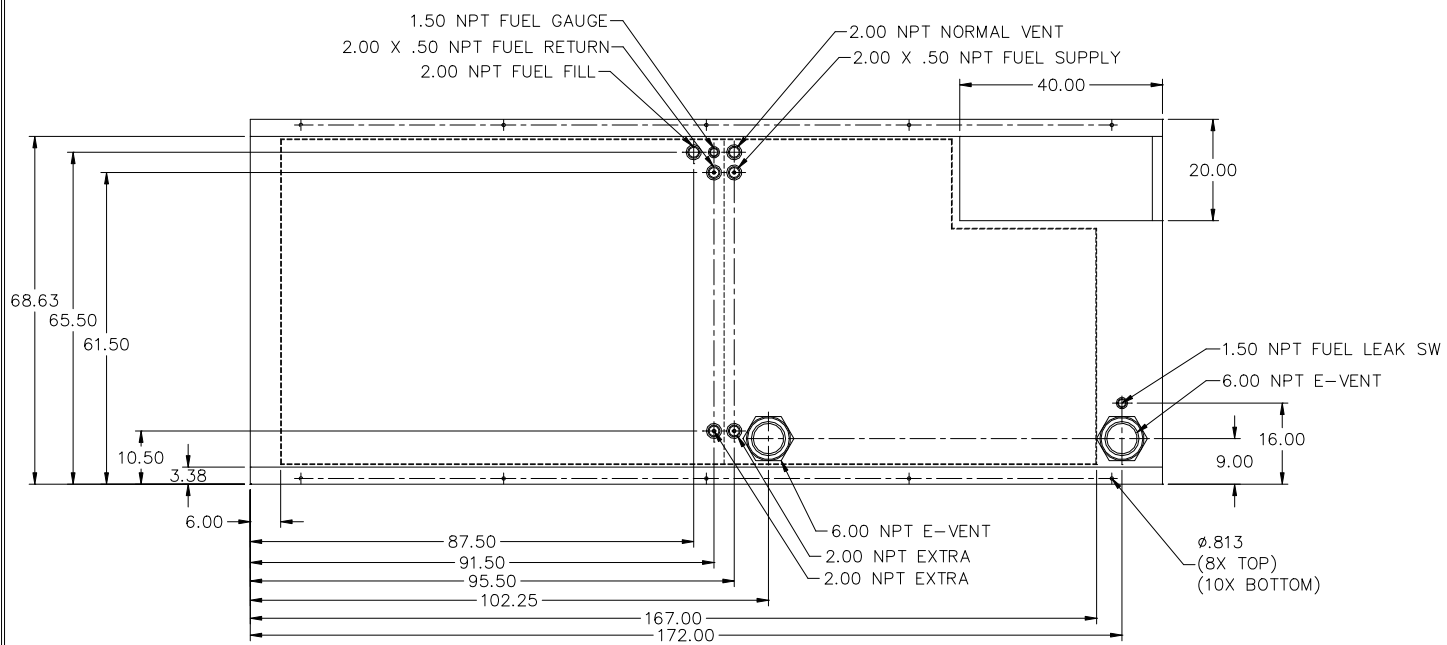


48HR TANK
JD350, JD415
TD350, TD400
VD350, VD400 (FT4)
LV0/LV1/LV2/LV3



- NOTES:
1. MATERIAL: 10GA
 2. SECONDARY CONTAINMENT TANK
 3. FINISH PAINT GLOSS BLACK
 4. TANK TO INCLUDE
 - FUEL SUPPLY / RETURN DIP TUBES
 - LIFTING / TIE DOWN BRACKETS

APPROXIMATE WEIGHT: 3300 LBS

REVISIONS:			
LEVEL:	DESCRIPTION:	DATE:	BY:
NA	NA	NA	NA
BLUE STAR Power Systems Inc.			
TANK SB 1420 GL DW UL W/STUB-UP			
P/N: TBD	180"L X 72"W X 36"H		
DATE: 07-05-17	BY: KAP	DRAWN TO SCALE	