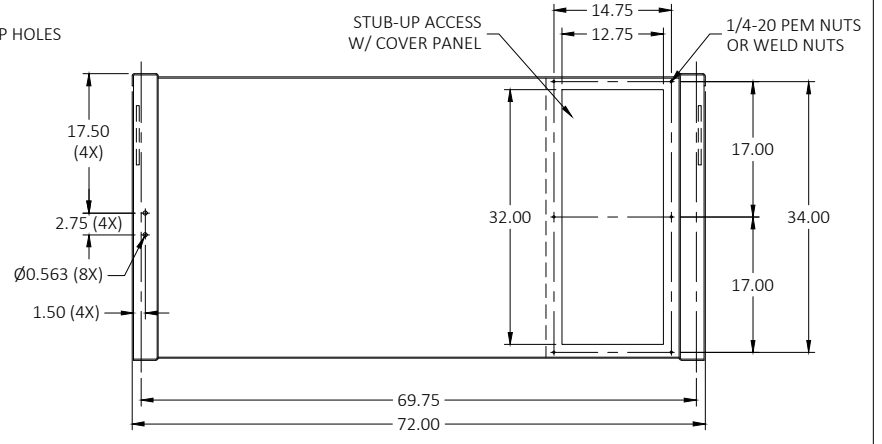
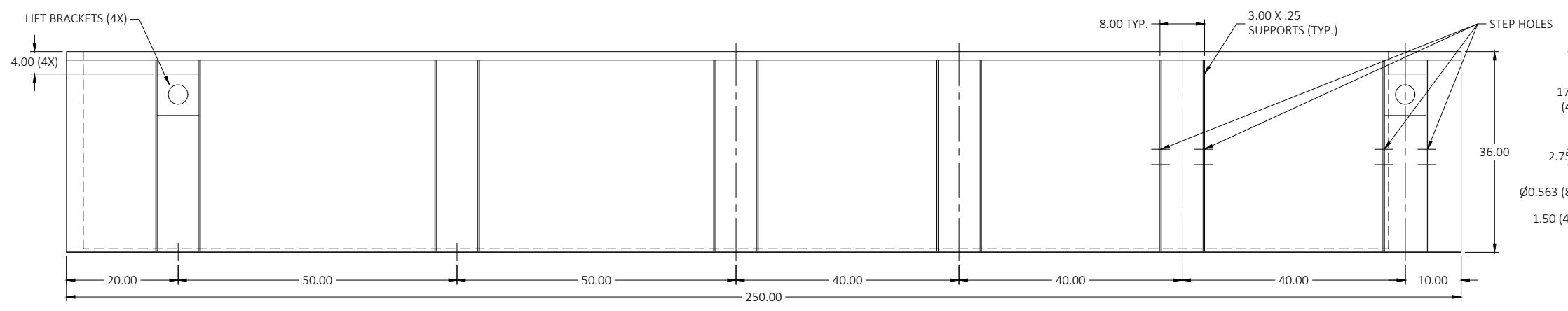
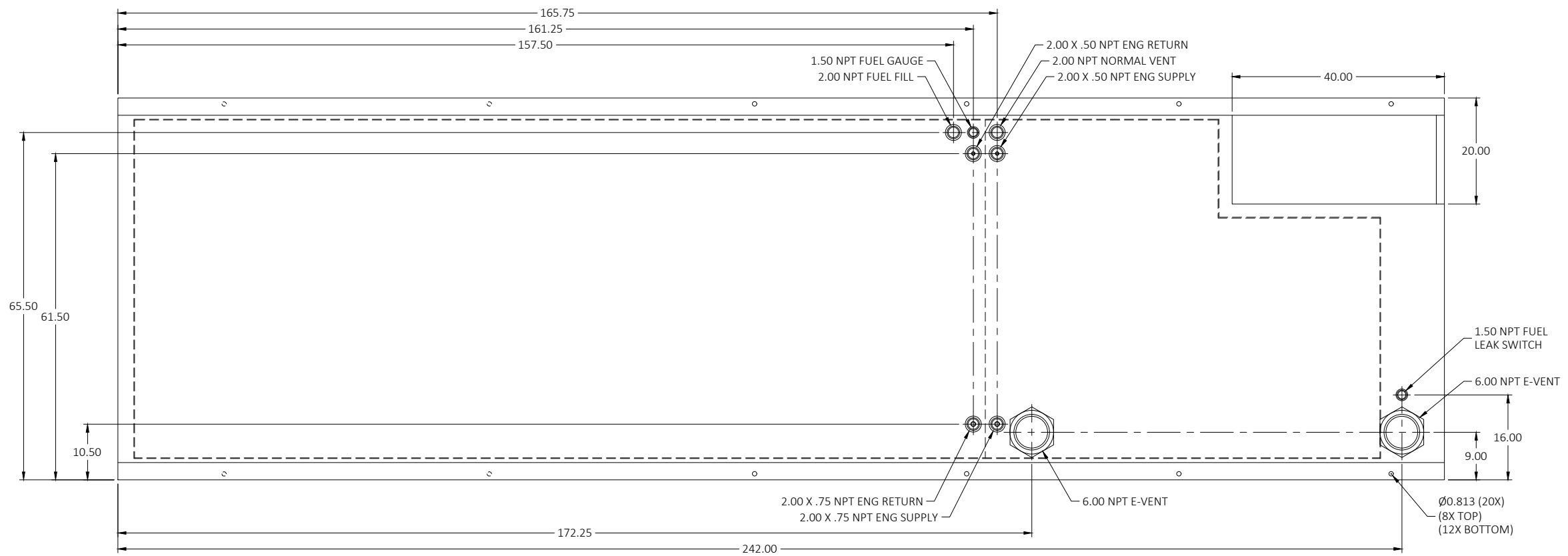


72HR / 2,130GL FUEL TANK
 PD350-01, PD400-01
 VD350-02FT4, VD400-02FT4
 LV0 / LV1 / LV2 / LV3



- NOTES:
 1. MATERIAL: PER UL/ULC REQUIREMENTS
 2. SECONDARY CONTAINMENT TANK
 3. TANK TO INCLUDE:
 -FUEL SUPPLY/RETURN DIP TUBES
 -LIFTING/TIE-DOWN BRACKETS

MATERIAL: SEE NOTES FINISH: BLACK HAMMERED

REMOVE ALL BURRS AND SHARP EDGES
 TOLERANCE UNLESS OTHER SPECIFIED:
 FRACTIONAL: ± 1/32
 ANGULAR: ± 1°
 X.X = ± .1
 X.XX = ± .03
 X.XXX = ± .010

R04	CHANGED LEFT SUPPLY/RETURN TO 2.00 X .75	04-01-21	CRC
LEVEL:	DESCRIPTION:	DATE:	BY:
REVISIONS:			
THE INFORMATION CONTAINED IN THIS DRAWING IS THE SOLE PROPERTY OF BLUE STAR POWER SYSTEMS, INC. ANY REPRODUCTION, IN PART OR AS A WHOLE, WITHOUT THE WRITTEN PERMISSION IS PROHIBITED.			
2250 CARLSON DRIVE, NORTH MANKATO, MINNESOTA 56003 1 507 345 1776			
TANK SB 2130GL DW SC UL/ULC W/ STUB-UP			
	NAME	DATE	SIZE PART NUMBER:
	DRAWN BY: CRC	12-08-22	B 20641
	APPROVED: CRC	12-08-22	SCALE: NONE APPROX. WEIGHT: 5,050 LBS SHEET 1 OF 1