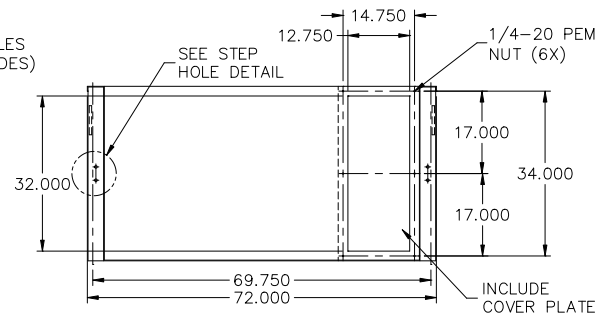
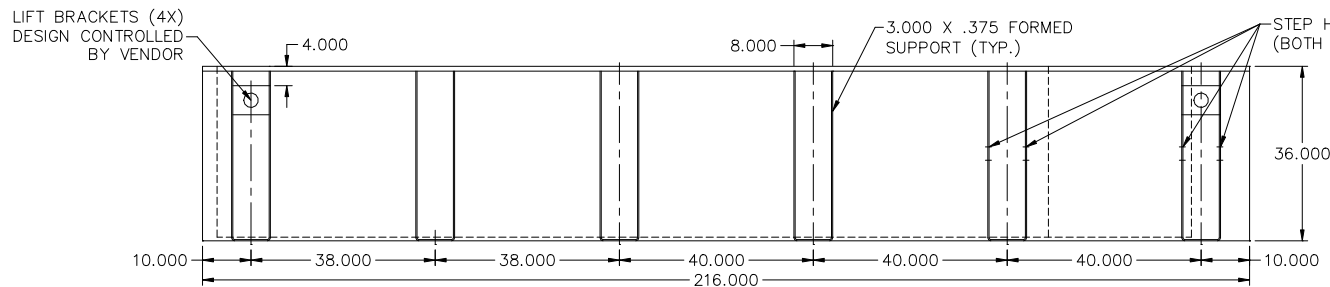
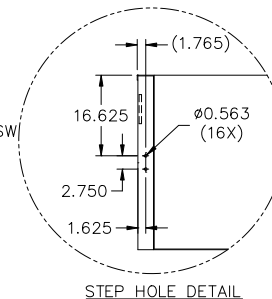
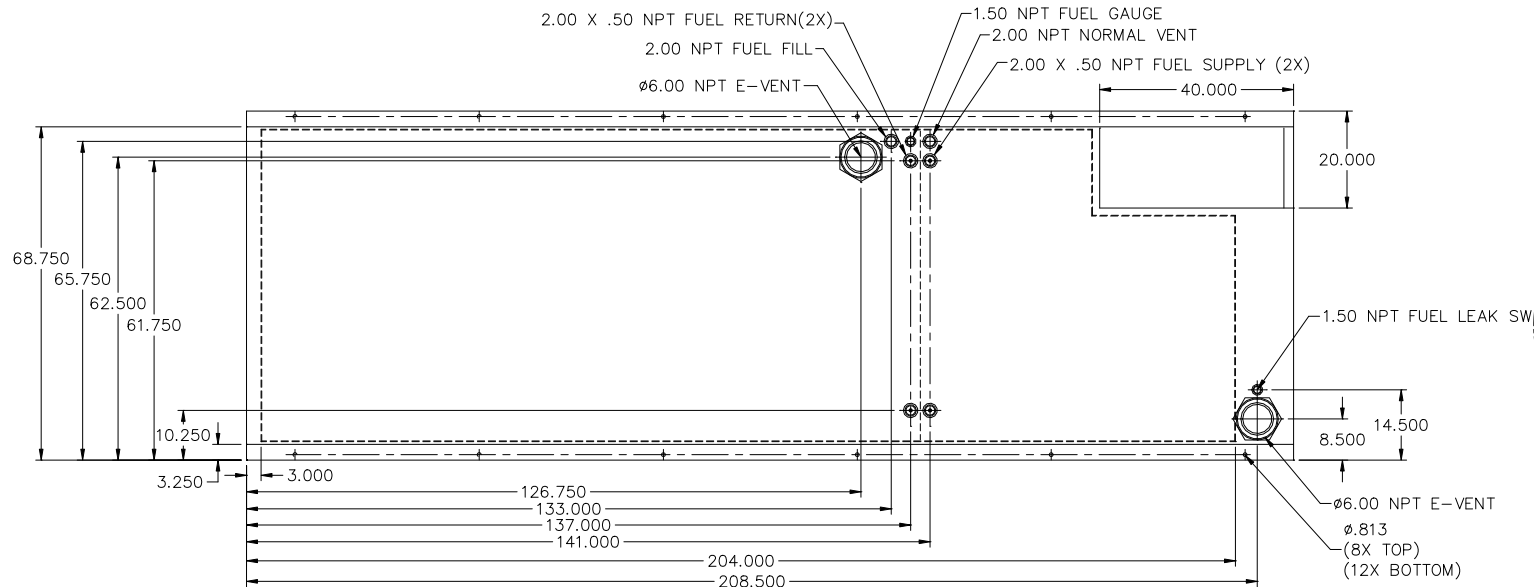


48HR TANK
JD450, JD500
TD450, TD500
VD450, VD500 (01)
LV0/LV1/LV2/LV3



NOTES:

1. MATERIAL: 7GA. RUPTURE BASIN
 10GA. INNER TANK
2. SECONDARY CONTAINMENT TANK
3. FINISH PAINT GLOSS BLACK
4. TANK TO INCLUDE
 - FUEL SUPPLY / RETURN DIP TUBES
 - LIFTING / TIE DOWN BRACKETS

APPROXIMATE WEIGHT: 3700 LBS

REVISIONS:

LEVEL:	DESCRIPTION:	DATE:	BY:
NA	NA	NA	NA

BLUE STAR
 Power Systems Inc.

TANK SB 1800GL DW UL W/STUB-UP

P/N: NA 216"L X 72"W X 36"H

DATE: 12-17-15 BY: KDH DRAWN TO SCALE