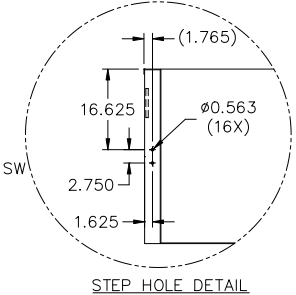
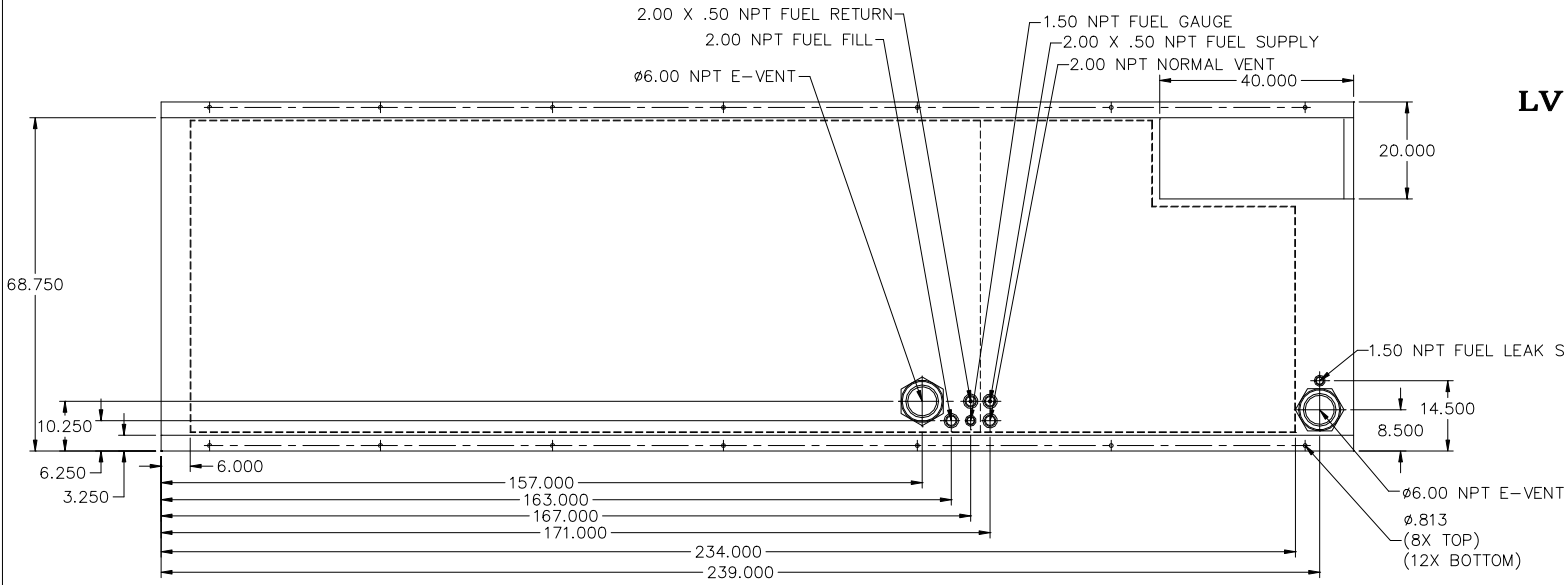
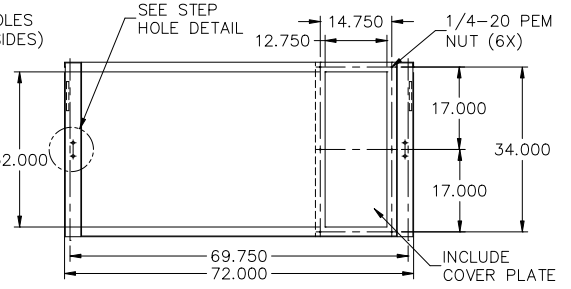
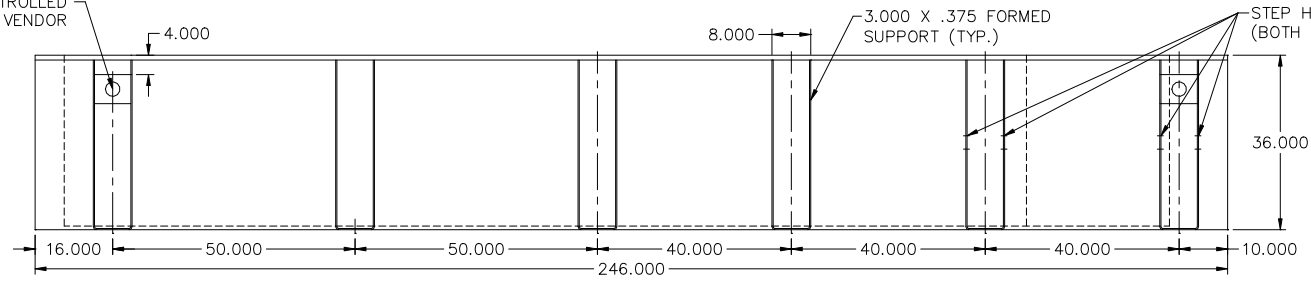


**48HR TANK
VD550 (01)
LV0/LV1/LV2/LV3**



LIFT BRACKETS (4X)
DESIGN CONTROLLED
BY VENDOR



- NOTES:
1. MATERIAL: 7GA. RUPTURE BASIN
10GA. INNER TANK
 2. SECONDARY CONTAINMENT TANK
 3. FINISH PAINT GLOSS BLACK
 4. TANK TO INCLUDE
 - FUEL SUPPLY / RETURN DIP TUBES
 - LIFTING / TIE DOWN BRACKETS

APPROXIMATE WEIGHT: 4100 LBS

REVISIONS:

LEVEL:	DESCRIPTION:	DATE:	BY:
NA	NA	NA	NA



TANK SB 2000GL DW UL W/STUB-UP

P/N: NA	246"L X 72"W X 36"H
DATE: 12-17-15	BY: KDH DRAWN TO SCALE