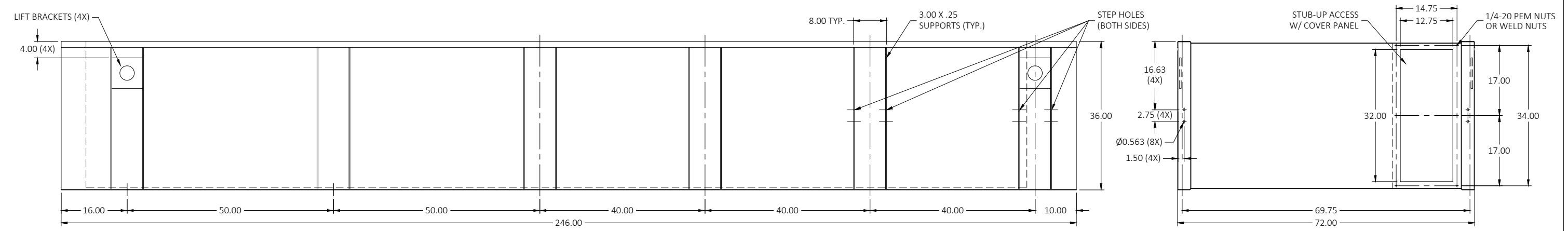
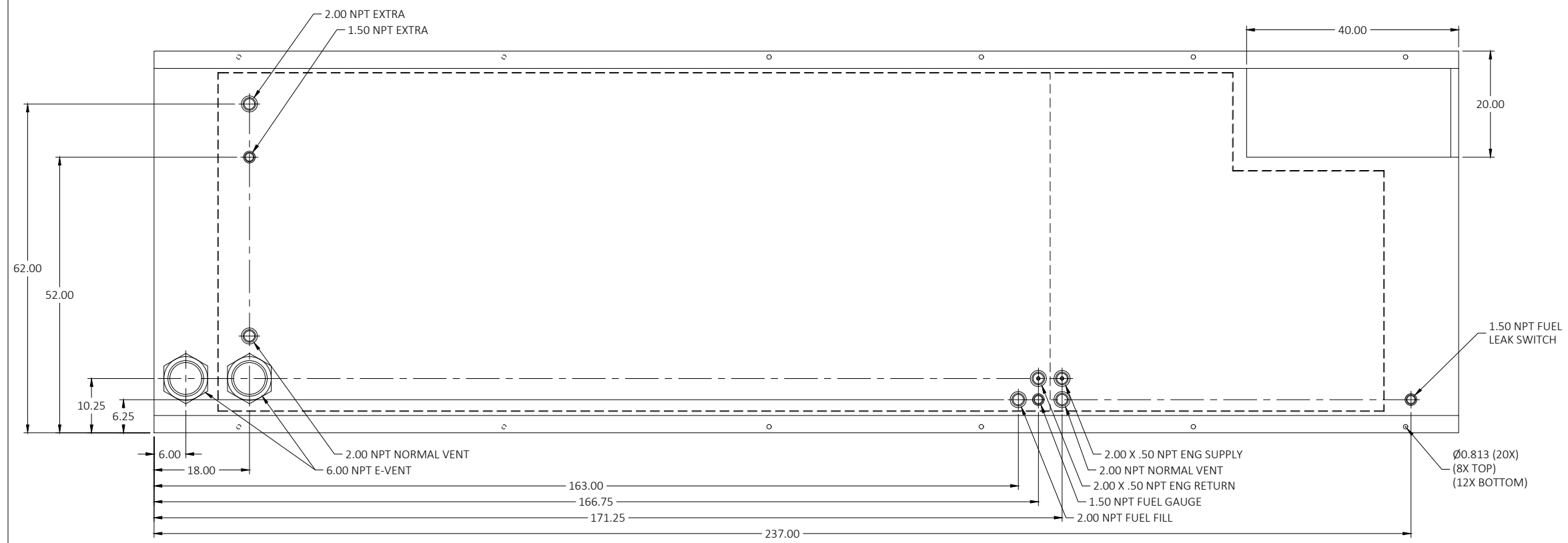


48HR / 2,000GL FUEL TANK  
 VD550-01  
 LV0 / LV1 / LV2 / LV3



- NOTES:  
 1. MATERIAL: PER UL/ULC REQUIREMENTS  
 2. SECONDARY CONTAINMENT TANK  
 3. TANK TO INCLUDE:  
 -FUEL SUPPLY/RETURN DIP TUBES  
 -LIFTING/TIE-DOWN BRACKETS

MATERIAL: SEE NOTES      FINISH: BLACK HAMMERED

R02	MOVED VENTS & ADDED 1.50 & 2.00 NPT FITTINGS	01-05-23	CRC
LEVEL:	DESCRIPTION:	DATE:	BY:

REVISIONS:  
 THE INFORMATION CONTAINED IN THIS DRAWING IS THE SOLE PROPERTY OF BLUE STAR POWER SYSTEMS, INC. ANY REPRODUCTION, IN PART OR AS A WHOLE, WITHOUT THE WRITTEN PERMISSION IS PROHIBITED.

REMOVE ALL BURRS AND SHARP EDGES  
 TOLERANCE UNLESS OTHER SPECIFIED:  
 FRACTIONAL: ± 1/32  
 ANGULAR: ± 1°  
 X.X = ± .1  
 X.XX = ± .03  
 X.XXX = ± .010  
 DIMENSIONS ARE IN INCHES  
 DO NOT SCALE DRAWING



TANK SB 2000GL DW SC UL/ULC W/ STUB-UP			
NAME	DATE	SIZE	PART NUMBER:
CRC	12-09-22	B	20792
APPROVED:	CRC	12-09-22	SCALE: NONE    APPROX. WEIGHT: 4,900 LBS    SHEET 1 OF 1