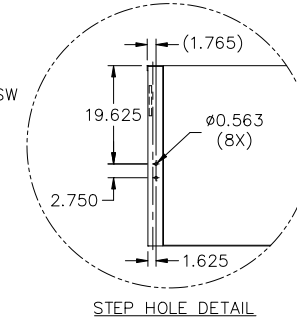
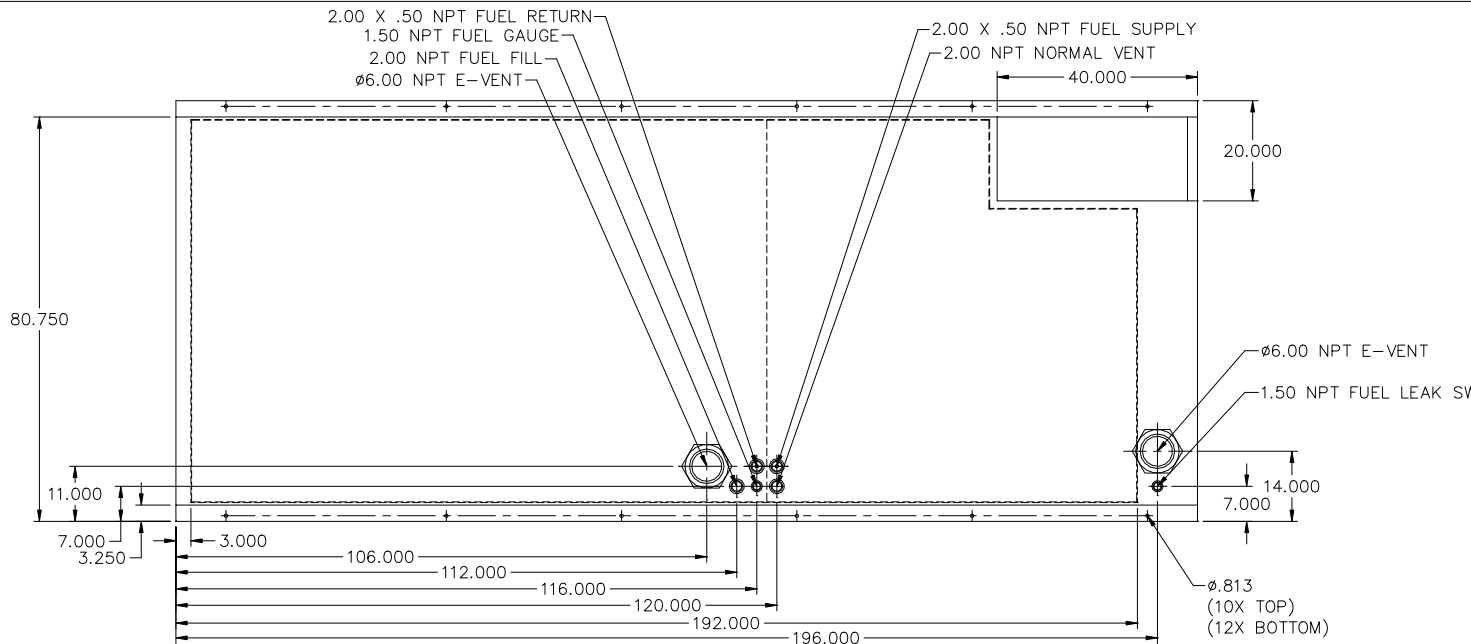
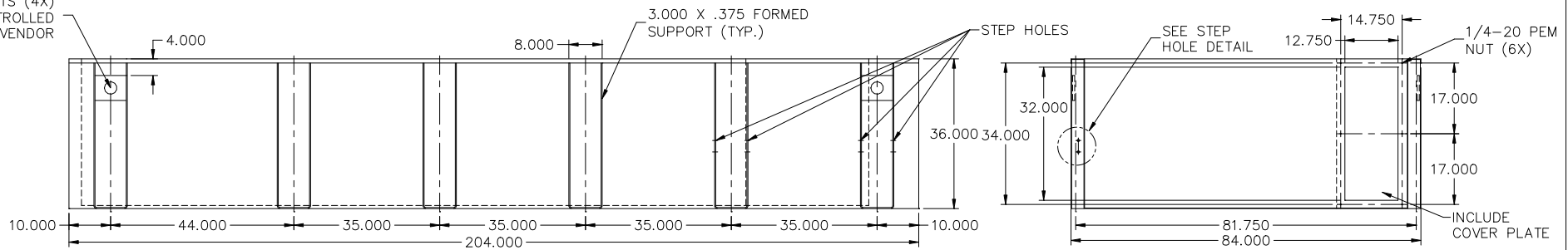


**48HR TANK
VD550, VD600 (FT4)
LV0/LV1/LV2/LV3**



LIFT BRACKETS (4X)
DESIGN CONTROLLED
BY VENDOR



NOTES:

1. MATERIAL: 10GA. INNER TANK BASIN
10GA. RUPTURE BASIN
2. SECONDARY CONTAINMENT TANK
3. FINISH PAINT GLOSS BLACK
4. TANK TO INCLUDE
 - FUEL SUPPLY / RETURN DIP TUBES
 - LIFTING / TIE DOWN BRACKETS

APPROXIMATE WEIGHT: 3900 LBS

REVISIONS:

LEVEL:	DESCRIPTION:	DATE:	BY:
NA	NA	NA	NA

BLUE STAR
Power Systems Inc.

TANK SB 2000GL DW UL W/STUB-UP

P/N: NA	204"L X 84"W X 36"H
DATE: 12-22-15	BY: KDH DRAWN TO SCALE