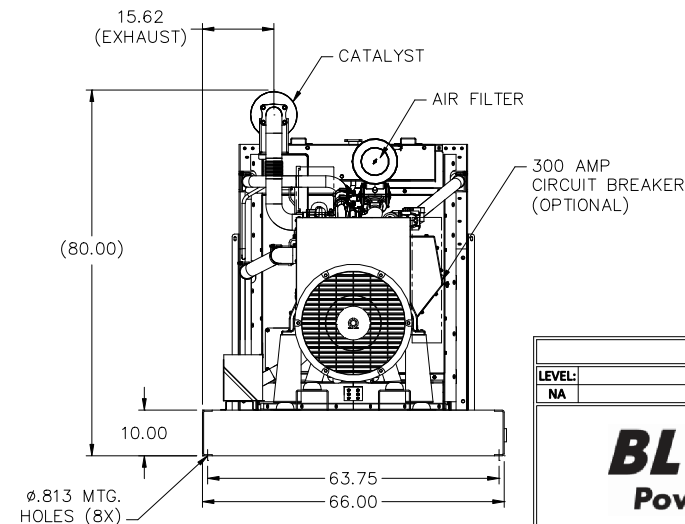


- NOTES:
1. BREAKER LOCATION IS APPROXIMATE
 2. DUCT FLANGE WIDTH: 42.75
 3. FUEL CONNECTION 2NPT
 4. (XX.XX) DIMENSIONS ARE FOR REFERENCE ONLY



REVISIONS:

LEVEL:	DESCRIPTION:	DATE:	BY:
NA	NA	NA	NA

BLUE STAR
Power Systems Inc.

ENG: D111TIC	GEN: 431
RAD: W/ENG	BASE: 2-0428 HSG: NA
DATE: 12-30-15	BY: KAP DRAWN TO SCALE