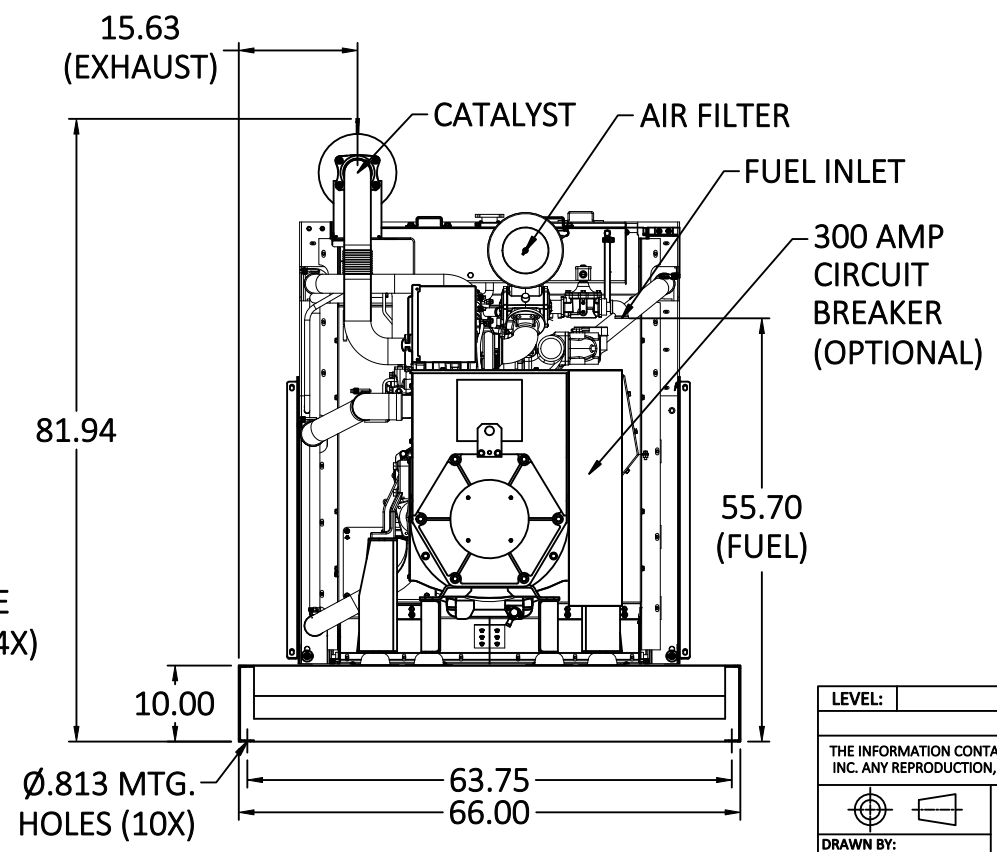


- NOTES:
1. BREAKER LOCATION IS APPROXIMATE
 2. RADIATOR CORE WIDTH: 42.75"
 3. FUEL CONNECTION 2.00" NPT
 4. (XX.XX) DIMENSIONS ARE FOR REFERENCE ONLY



LEVEL:	DESCRIPTION:	DATE:	BY:
REVISIONS:			
THE INFORMATION CONTAINED IN THIS DRAWING IS THE SOLE PROPERTY OF BLUE STAR POWER SYSTEMS, INC. ANY REPRODUCTION, IN PART OR AS A WHOLE, WITHOUT THE WRITTEN PERMISSION IS PROHIBITED.			
 BLUE STAR Power Systems Inc.		2250 CARLSON DRIVE, NORTH MANKATO, MINNESOTA 56003 1 507 345 1776	
DRAWN BY: RPS DATE: 11-21-2022	ENGINE: NG 11.1L	BASE: 18424	TANK: NONE
GENERATOR: UCI274H	HSG: NONE	SIZE: B	SCALE: NONE SHEET: 1 OF 1